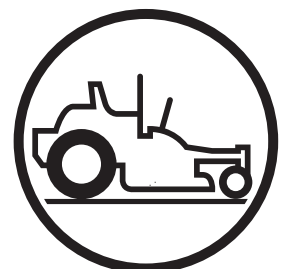


Parts manual

EZ4217KAA/968999291, EZ4819KAA/968999504
EZ4824BI/968999513, EZ5221KAA/968999292
EZ5426BI/968999514, EZ6124KOA/968999505

Please read the operator's manual carefully and make
sure you understand the instructions before using the



English

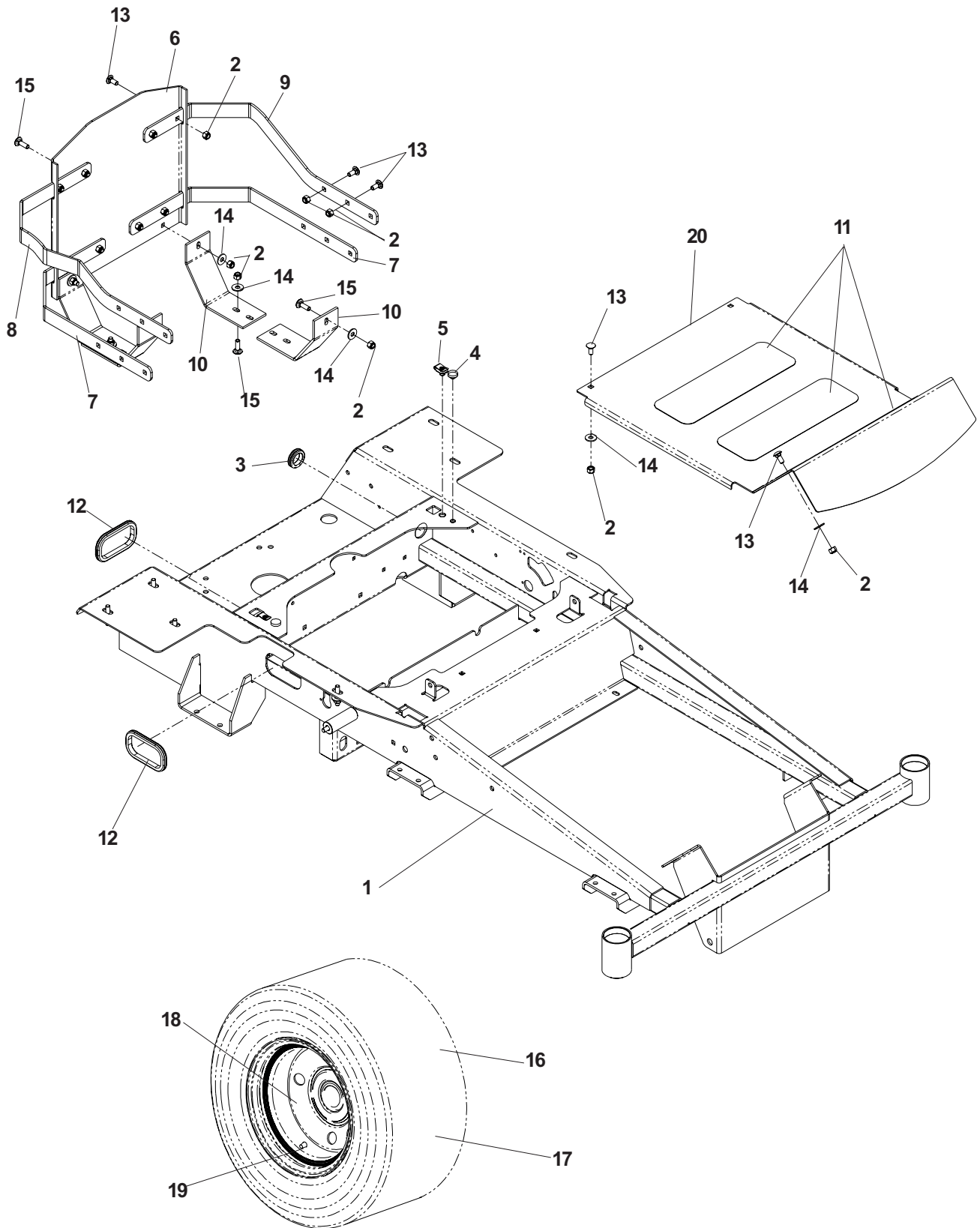
CONTENTS

**SECTION
PAGE**

MAIN FRAME	4-7
DECK LIFT	8-9
CONTROL LEVERS	10-11
PARK BRAKE	12-13
CASTER ASSEMBLY	14-15
SEAT ASSEMBLY	16-17
CONSOLE ASSEMBLY	18-19
KAWASAKI ENGINE ASSEMBLY, MODELS 968999291, 968999292, 968999504	20-21
BRIGGS & STRATTON ENGINE ASSEMBLY, MODELS 968999513, 968999514	22-23
KOHLER ENGINE ASSEMBLY, MODEL 968999505	24-25
42" DECK ASSEMBLY, MODEL 968999291	26-27
48" DECK ASSEMBLY, MODEL 968999504	28-29
48" DECK ASSEMBLY, MODEL 968999513	30-31
52" DECK ASSEMBLY, MODEL 968999292	32-33
54" DECK ASSEMBLY, MODEL 968999514	34-35
61" DECK ASSEMBLY, MODEL 968999505	36-37
HYDRAULIC ASSEMBLY	38-39
DECAL ASSEMBLY, MODELS 968999291, 968999292, 968999504, 968999505	40-41
DECAL ASSEMBLY, MODELS 968999513, 968999514	42-43
WIRING DIAGRAM	44

NOTE: ALL FASTENERS ARE GRADE 5 UNLESS OTHERWISE SPECIFIED.

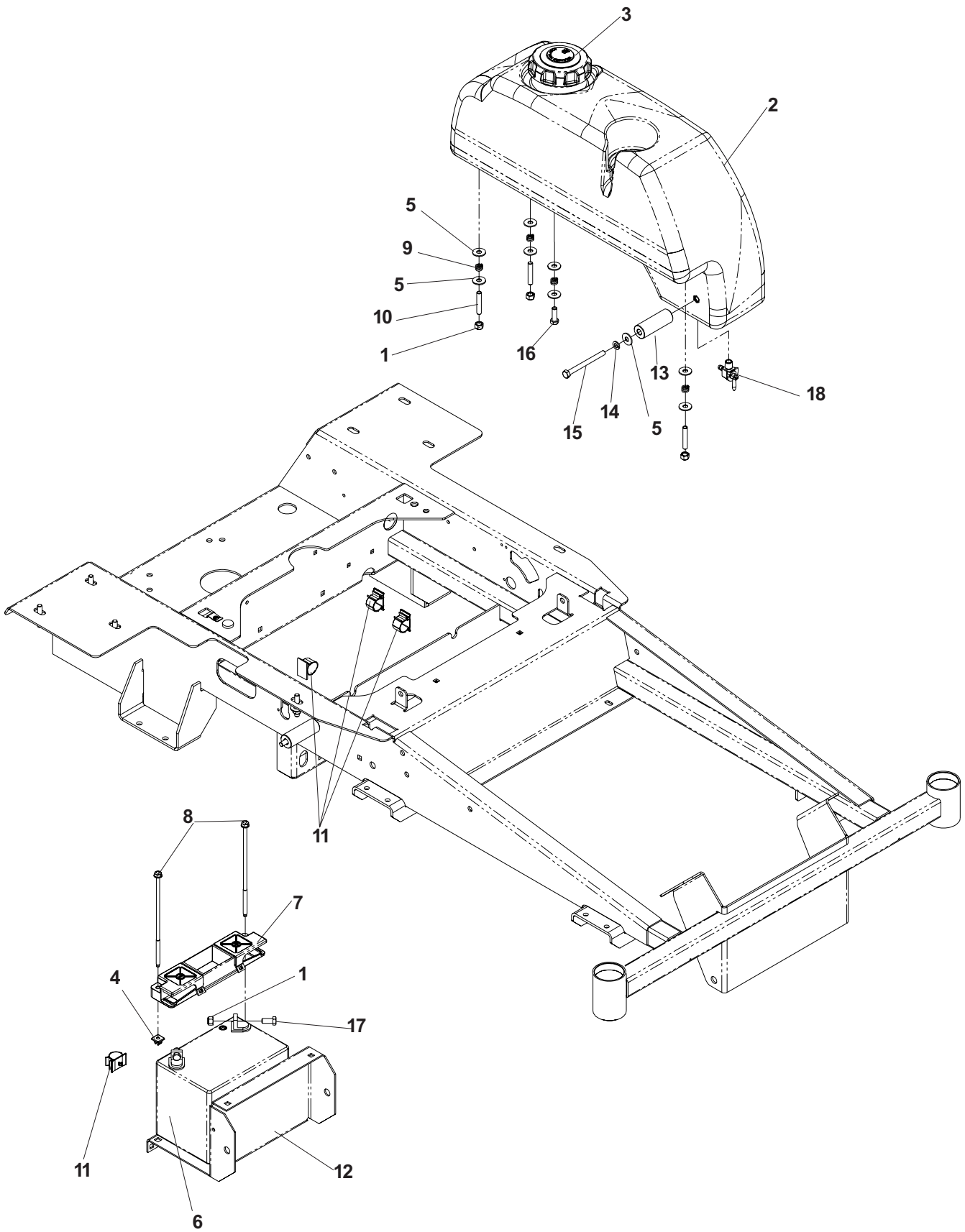
MAIN FRAME



MAIN FRAME

ITEM	PART NO.	QTY.	DESCRIPTION
1	539 112798	1	MAIN FRAME W/DECALS
	539 114050	1	MAIN FRAME W/DECALS, MODEL 968999505 ONLY
2	539 990717	56	NUT, 5/16-18, NYLOC
3	539 105974	1	RUBBER GROMMET
4	539 102587	2	GROMMET, BUMPER
5	539 104763	2	NUT, 5/16-18, RETAINER-U TYPE
6	539 106959	1	ENGINE GUARD
7	539 112780	2	LOWER GUARD
8	539 112781	1	UPPER RIGHT HAND GUARD
9	539 112782	1	UPPER LEFT HAND GUARD
10	539 112783	4	SKID PLATE
11	539 977778	3	PAD, ABRASIVE
12	539 107116	1	GROMMET
13	539 990316	30	RHSNB, 5/16-18 X 3/4, GR5
14	539 990692	30	WASHER, 5/16
15	539 990208	6	RHSNB, 5/16-18 X 1, GR5
16	539 112215	2	TIRE & RIM
	539 112212	2	TIRE & RIM, MODEL 968999291 ONLY
17	539 112216	1	TIRE
	539 112213	1	TIRE, MODEL 968999291 ONLY
18	539 112217	1	RIM
	539 112214	1	RIM, MODEL 968999291 ONLY
19	539 912234	1	VALVE STEM
20	539 112228	1	FLOOR PAN

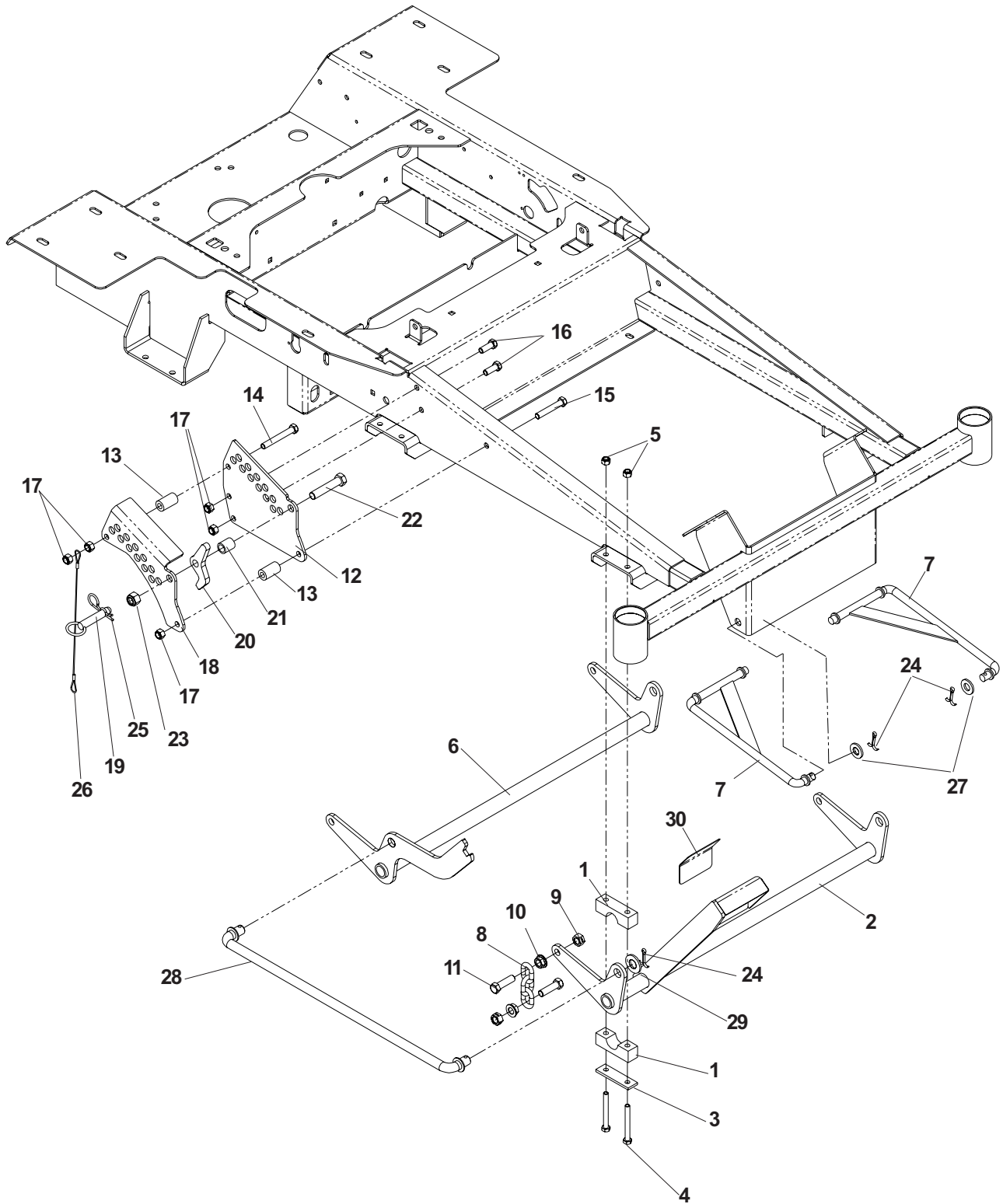
MAIN FRAME



MAIN FRAME

ITEM	PART NO.	QTY.	DESCRIPTION
1	539 990717	56	NUT, 5/16-18, NYLOC
2	539 104409	1	FUEL TANK, LEFT
3	539 106188	1	FUEL CAP
4	539 107629	2	PUSH NUT, NYLON
5	539 990692	30	WASHER, 5/16
6	539 102436	1	BATTERY, DRY
7	539 107628	1	BATTERY HOLD DOWN
8	539 107632	2	BOLT, 1/4 X 7 1/2, SPEC.
9	539 102845	8	SPRING, TANK MOUNT
10	539 102502	6	TANK STUD, FUEL, 5/16C
11	539 110815	5	PUSH MOUNT, WIRE CLIP
12	539 112408	1	BATTERY TRAY
13	539 112446	2	TANK SPACER
14	539 990187	2	LOCKWASHER, 5/16
15	539 107270	2	HCS, 5/16-18 X 3 1/2, GR5
16	539 990209	2	HCS, 5/16-18 X 1, GR5
17	539 976934	2	HCS, 5/16-18 X 3/4, GR5
18	539 916325	1	FUEL VALVE
	539 112409	1	WIRE HARNESS (NOT SHOWN)

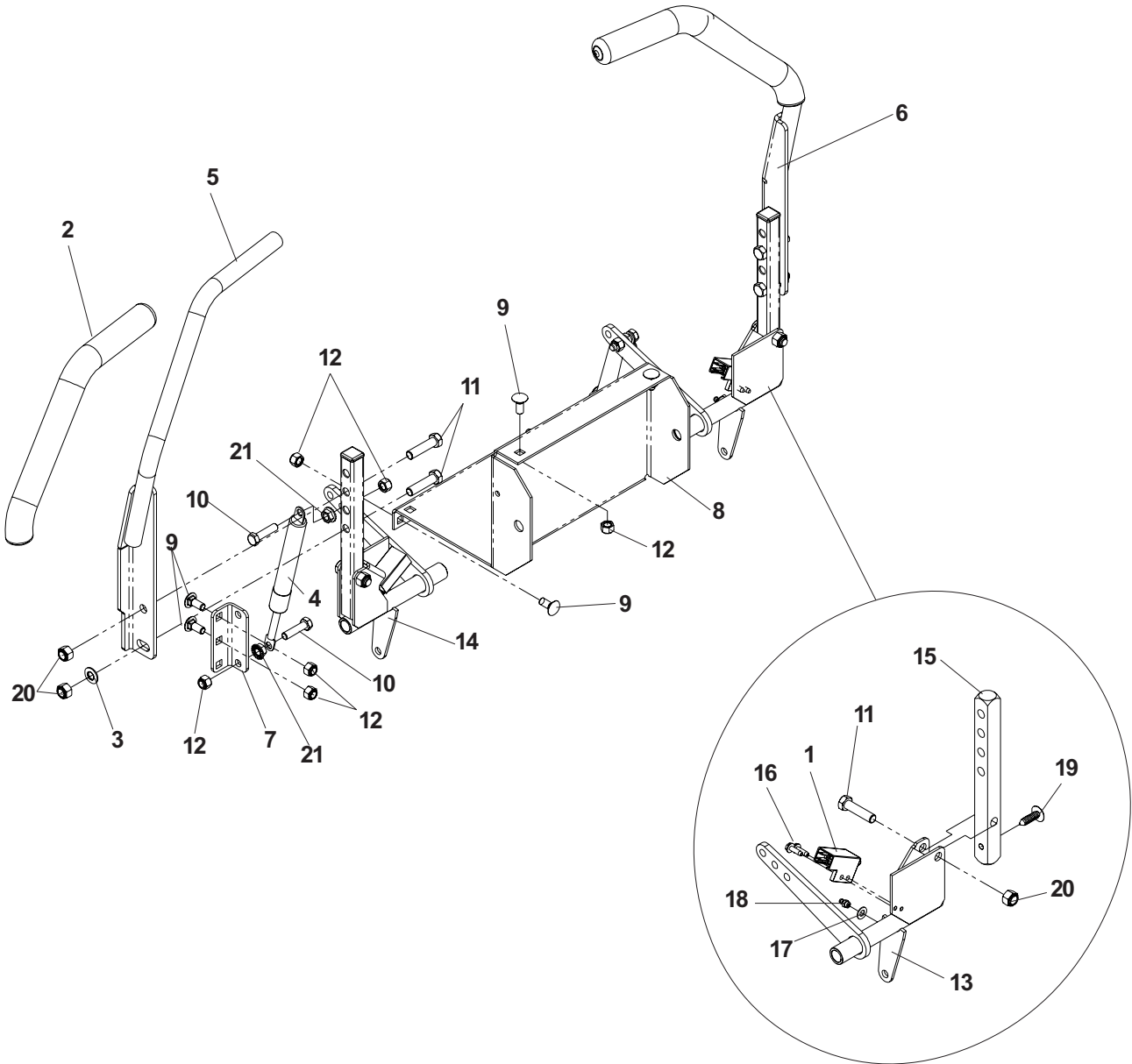
DECK LIFT



DECK LIFT

ITEM	PART NO.	QTY.	DESCRIPTION
1	539 104808	8	PILLOW BLOCK
2	539 112220	1	FRONT LIFT SHAFT
3	539 104807	4	REINFORCEMENT BAR
4	539 101721	8	HCS, 5/16-18 X 2 3/4, GR5
5	539 990717	56	NUT, 5/16-18, NYLOC
6	539 112224	1	REAR LIFT SHAFT
7	539 112223	2	STRUT LINKAGE
8	539 109693	4	LIFT CHAIN, 3 LINKS
9	539 990839	8	NUT, 7/16-14, CENTERLOCK
10	539 102582	8	NUT, 7/16-14, WHIZLK
11	539 101175	8	HCS, 7/16-14 X 1 1/2, GR5
12	539 112230	1	HEIGHT ADJUST PLATE
13	539 104530	2	SPACER
14	539 102612	1	HCS, 3/8-16 X 2 3/4, GR5
15	539 990629	3	HCS, 3/8-16 X 2 1/4, GR5
16	539 990563	2	HCS, 3/8-16 X 1, GR5
17	539 976979	11	NUT, 3/8-16, NYLOC
18	539 112232	1	HEIGHT ADJUSTMENT PLATE, OUTER
19	539 102526	1	LIFT PIN
20	539 112234	1	PAWL, STOP
21	539 112236	1	SPACER
22	539 108346	1	HCS, 1/2-13 X 2 1/2, GR5
23	539 101331	1	NUT, 1/2-13, NYLOC
24	539 990654	6	COTTER PIN, 5/32 X 1.25
25	539 976989	1	HAIRPIN, #4
26	539 105059	1	LANYARD
27	539 990250	2	WASHER, 1/2, SAE
28	539 110808	2	DECK LIFT LINK
29	539 976982	4	WASHER, 5/8, SAE
30	539 105187	1	ANTI-SKID PAD

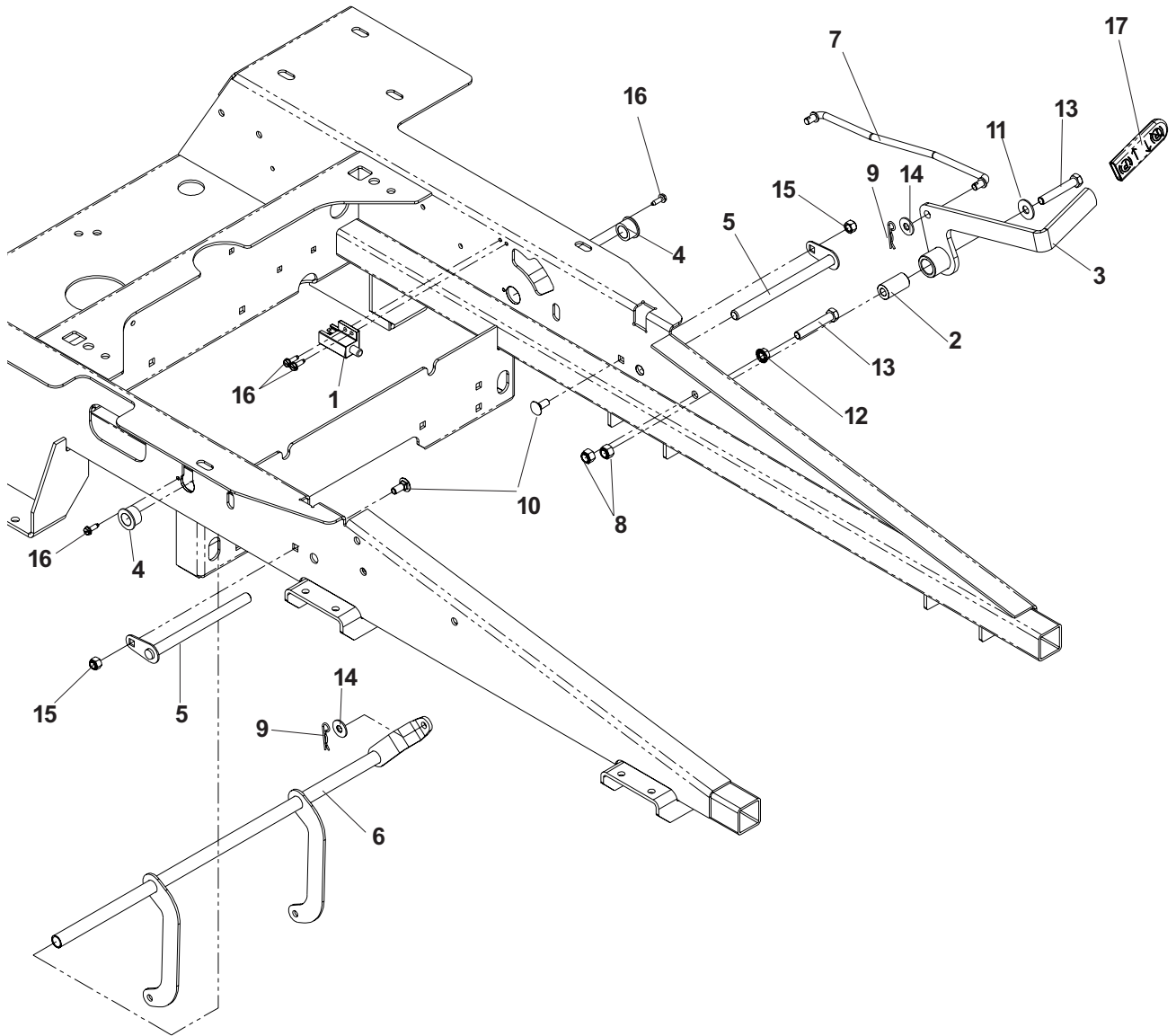
CONTROL LEVERS



CONTROL LEVERS

ITEM	PART NO.	QTY.	DESCRIPTION
1	539 101080	3	SWITCH, INTERLOCK
2	539 102592	2	CUSHION, DRIVE LEVER
3	539 102593	2	LOCKWASHER, 3/8, SPEC.
4	539 102720	2	DAMPENER
5	539 110826	1	DRIVE LEVER, RIGHT
6	539 110827	1	DRIVE LEVER, LEFT
7	539 112300	2	DAMPENER BRACKET
8	539 112408	1	BATTERY TRAY
9	539 990316	30	RHSNB, 5/16-18 X 3/4, GR5
10	539 990627	4	HCS, 5/16-18 X 1 1/4, GR5
11	539 990655	4	HCS, 3/8-16 X 1 1/2, GR5
12	539 990717	56	NUT, 5/16-18, NYLOC
13	539 112096	1	CONTROL WELDMENT, LEFT
14	539 112095	1	CONTROL WELEMENT, RIGHT (NOT SHOWN)
15	539 112088	1	CONTROLARM
16	539 991034	2	SCREW, 10-24 X 5/8, WASHER HD
17	539 103547	1	WASHER
18	539 976998	1	ZERK
19	539 113107	1	RIVET, NYLON PUSH-IN
20	539 976979	1	NUT, 3/8-16, NYLOC
21	539 990585	4	NUT, 5/16-18, WHIZLK

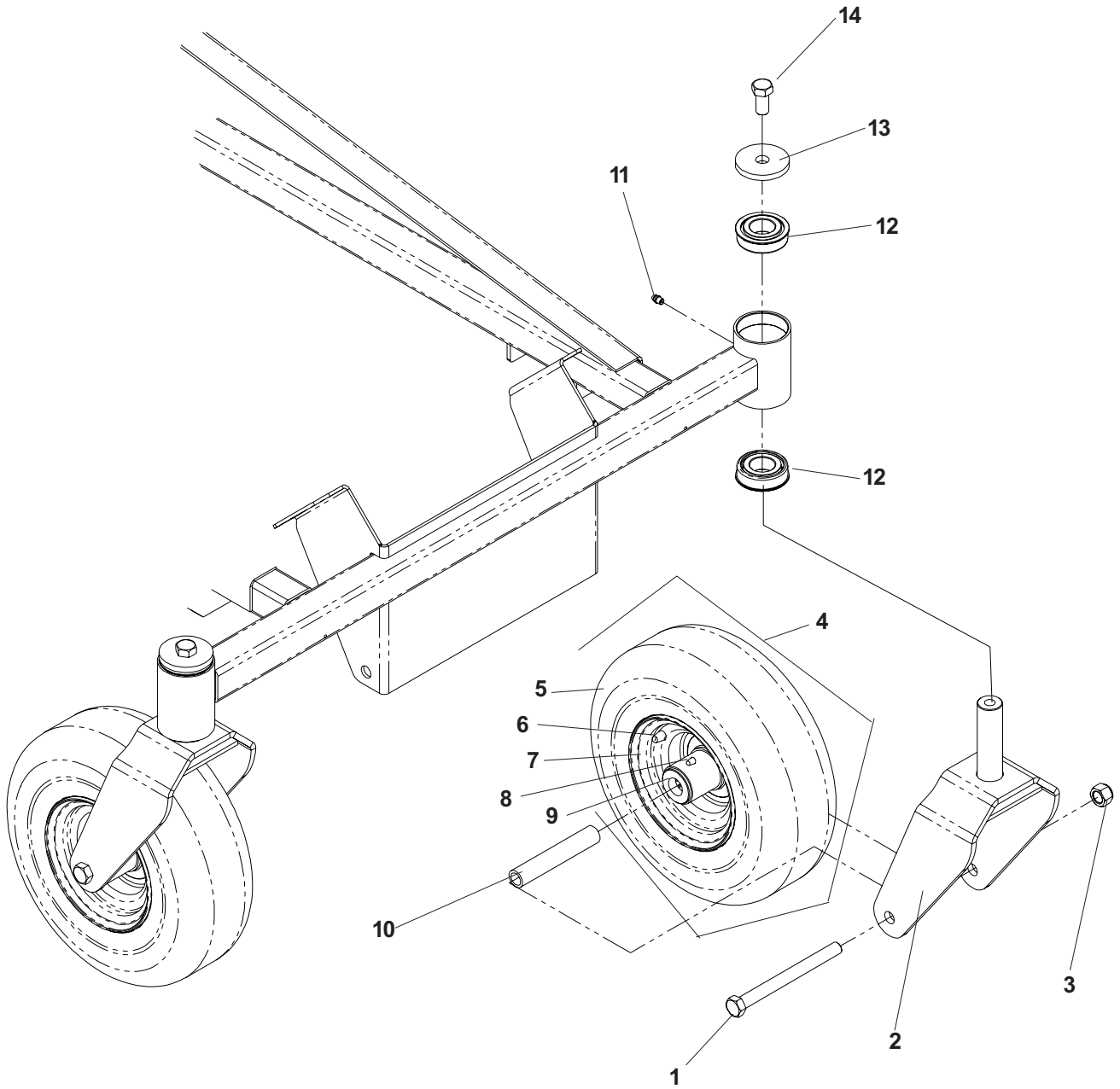
PARK BRAKE



PARK BRAKE

ITEM	PART NO.	QTY.	DESCRIPTION
1	539 101080	3	SWITCH, INTERLOCK
2	539 101836	1	BUSHING
3	539 109363	1	BRAKE LEVER
4	539 109368	2	BUSHING, PLASTIC
5	539 112306	2	PIVOT SHAFT
6	539 112313	1	BRAKE SHAFT
7	539 112314	1	LINKAGE
8	539 976979	12	NUT, 3/8-16, NYLOC
9	539 976988	2	PIN, HAIR, .073 X 1 7/16
10	539 990316	30	RHSNB, 5/16-18 X 3/4, GR5
11	539 990517	1	WASHER, 3/8
12	539 990585	4	NUT, 5/16-18, WHIZLK
13	539 990629	3	HCS, 3/8-16 X 2 1/4, GR5
14	539 990692	30	WASHER, 5/16
15	539 990717	56	NUT, 5/16-18, NYLOC
16	539 991034	4	SCREW, #10-24 X 5/8, WASHER HD
17	539 109798	1	GRIP, PARK BRAKE

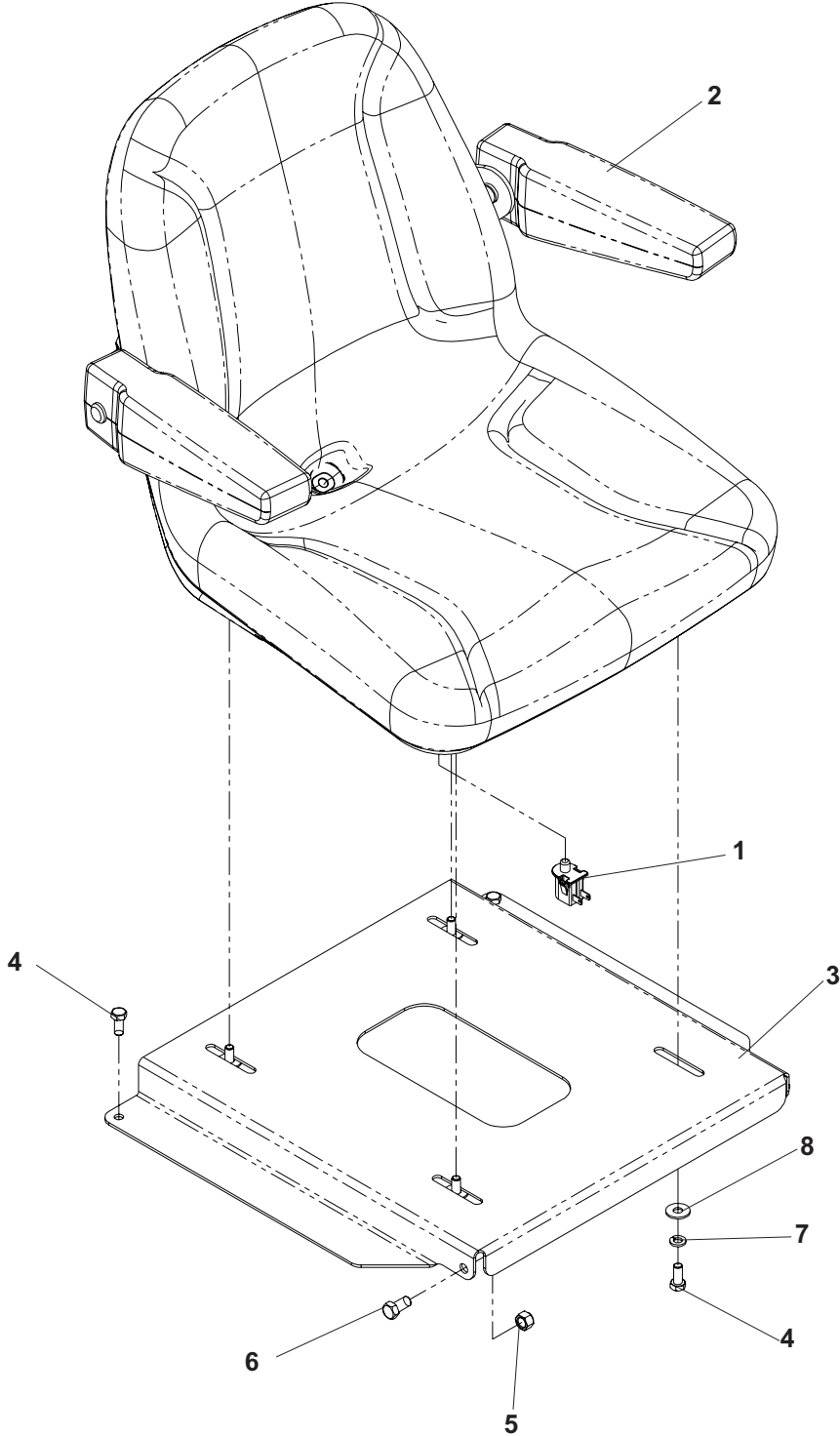
CASTER ASSEMBLY



CASTER ASSEMBLY

ITEM	PART NO.	QTY.	DESCRIPTION
1	539 101907	1	HCS, 1/2-13 X 5 1/2, GR5
2	539 113444	1	CASTER YOKE
3	539 101331	1	NUT, 1/2-13, NYLOC
4	539 106993	1	CASTER TIRE, COMPLETE
5	539 106995	1	TIRE, 4 PLY, 410/350-5
6	539 912234	1	VALVE STEM
7	539 106994	1	RIM
8	539 103300	1	ZERK
9	539 102484	2	BEARING, FLANGED
	539 105307	1	ROLLER BEARING, 3 1/4 (NOT SHOWN)
10	539 105543	1	SPACER
11	539 101474	2	ZERK
12	539 112660	4	BEARING, FLANGED
13	539 112670	2	HEAVY WASHER
14	539 990646	2	HCS, 1/2-13 X 1, GR5

SEAT ASSEMBLY



SEAT ASSEMBLY

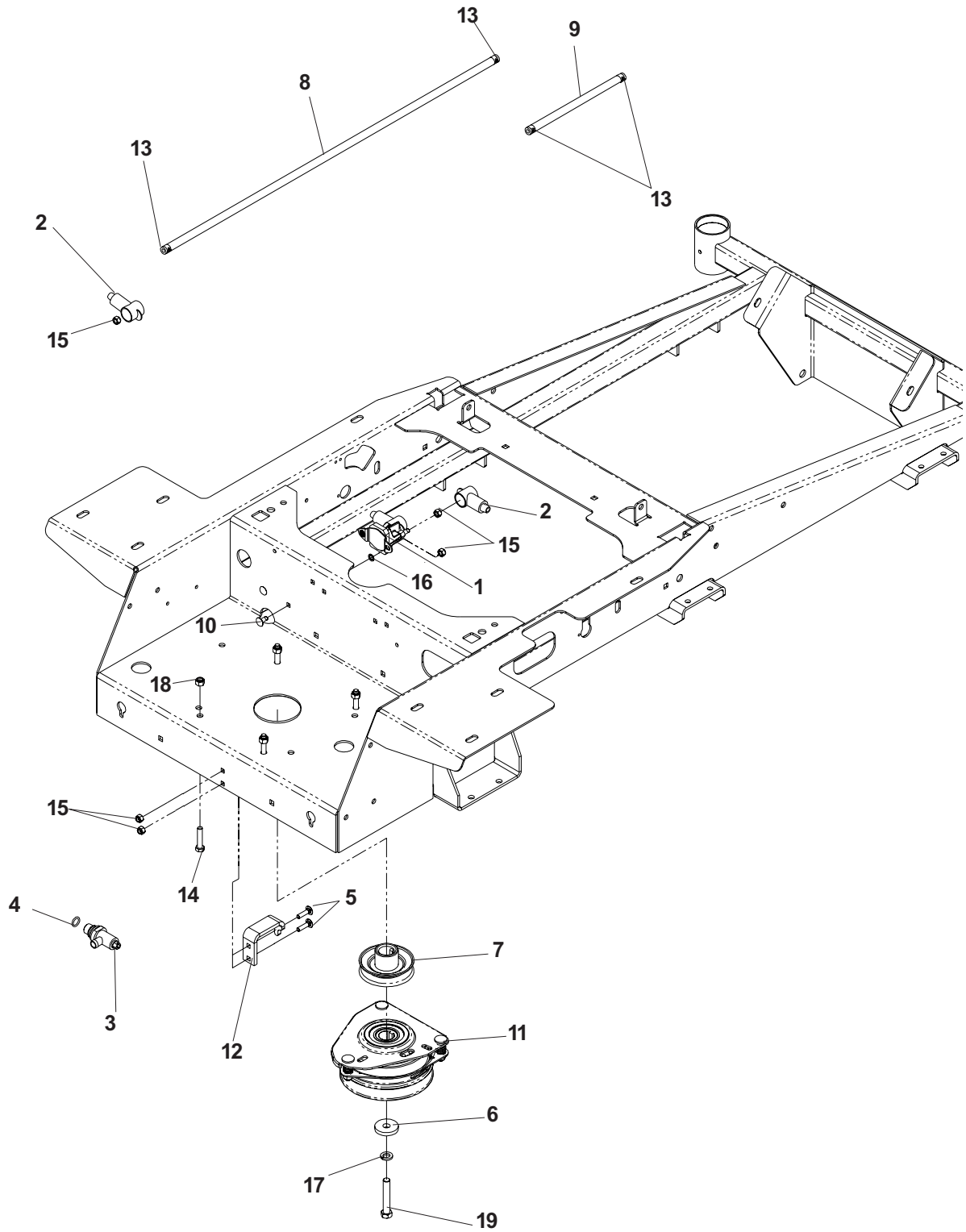
ITEM	PART NO.	QTY.	DESCRIPTION
1	539 107523	1	SEAT SWITCH
2	539 108744	1	SEAT W/ARMREST
3	539 112229	1	SEAT MOUNT
4	539 976934	6	HCS, 5/16-18 X 3/4, GR5
5	539 976979	2	NUT, 3/8-16, NYLOC
6	539 990134	2	HCS, 3/8-16 X 3/4, GR5
7	539 990187	4	LOCKWASHER, 5/16
8	539 990692	4	WASHER, 5/16

CONSOLE ASSEMBLY

ITEM	PART NO.	QTY.	DESCRIPTION
1	539 107593	1	CONSOLE
2	539 101768	1	CLUTCH SWITCH
3	539 112438	1	THROTTLE CABLE
	539 102732	1	THROTTLE CABLE, MODEL 968999505 ONLY
4	539 109858	1	CONSOLE PLATE
5	539 990411	6	HCS, #10-24 X 1/2
6	539 976977	2	NUT, #10-24, NYLOC
7	539 107541	1	IGNITION SWITCH
8	539 109838	1	DECAL, THROTTLE
9	539 112439	1	CHOKE CONTROL
	539 102733	1	CHOKE CABLE, MODEL 968999505 ONLY
10	539 110074	1	HOUR METER
11	539 105408	4	WASHER, #10

KAWASAKI ENGINE ASSEMBLY

MODELS: 968999291, 968999292, 968999504



TORQUE TO 50 FT./LBS.

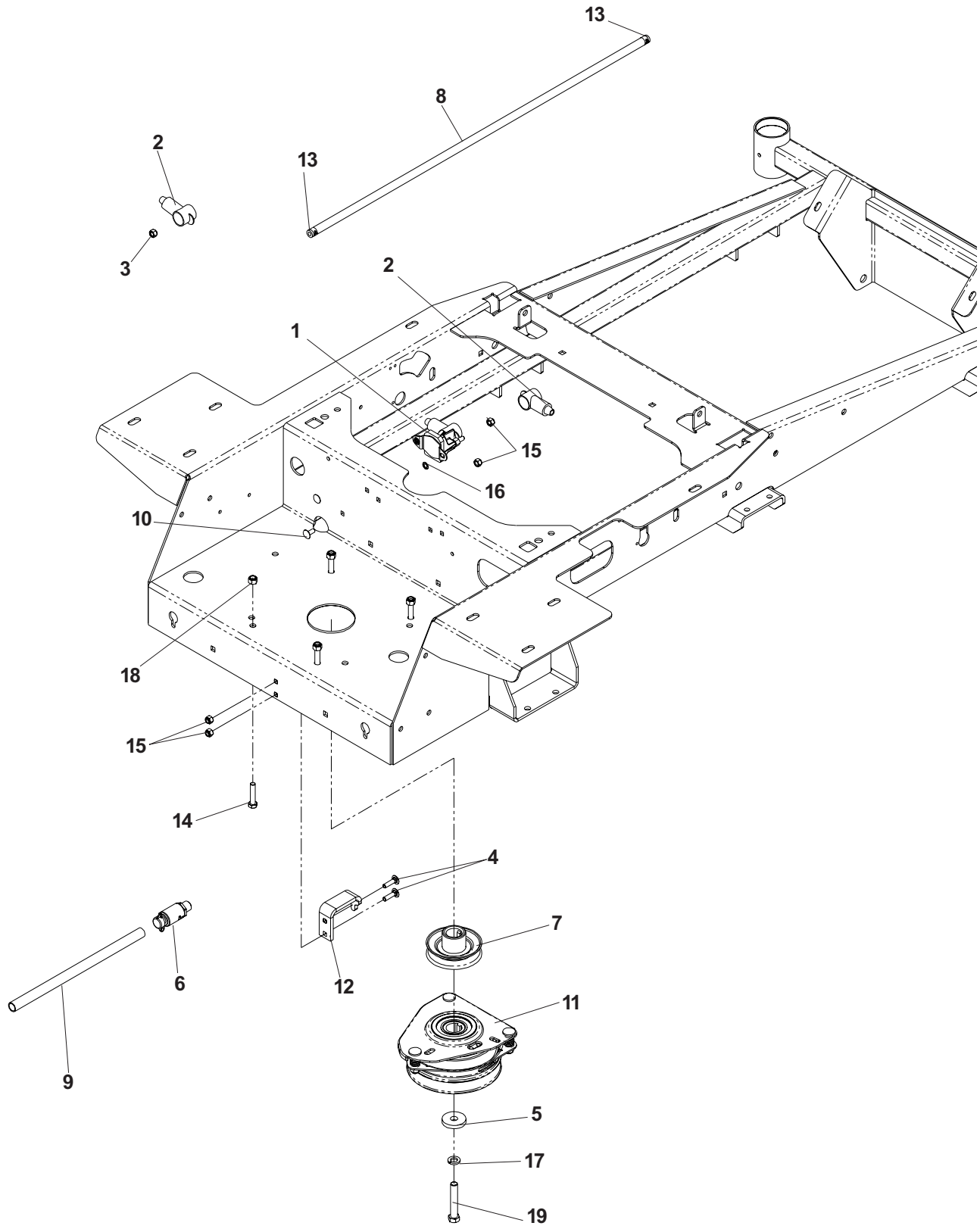
KAWASAKI ENGINE ASSEMBLY

MODELS: 968999291, 968999292, 968999504

ITEM	PART NO.	QTY.	DESCRIPTION
1	539 101714	1	SOLENOID
2	539 102759	3	INSULATOR, BATTERY
3	539 109587	1	OIL DRAIN EXTENSION
4	539 109618	1	O-RING
5	539 109800	2	RHSNB, 1/4-20 X 1, GR5
6	539 110064	1	CLUTCH WASHER
7	539 110423	1	PULLEY
8	539 110424	1	FUEL LINE, 24"
9	539 110425	1	FUEL LINE, 5"
10	539 111786	2	RHSSNB, 1/4-20 X 5/8, GR5
11	539 112233	1	CLUTCH
12	539 112249	1	CLUTCH TIE DOWN
13	539 912222	4	CLAMP, HOSE
14	539 976935	4	HCS, 5/16-18 X 1 1-2, GR5
15	539 976978	7	NUT, 1/4-20, NYLOC
16	539 990053	2	WASHER, 1/4
17	539 990247	1	WASHER, 7/16
18	539 990717	4	NUT, 5/16-18, NYLOC
19	539 991120	1	HCS, 7/16-20 X 2 1/2, GR5
	539 103306	2	CABLE, POSITIVE
	539 104415	1	PIGTAIL, KAWASAKI

BRIGGS & STRATTON ENGINE ASSEMBLY

MODELS: 968999513, 968999514



TORQUE TO 50 FT./LBS.

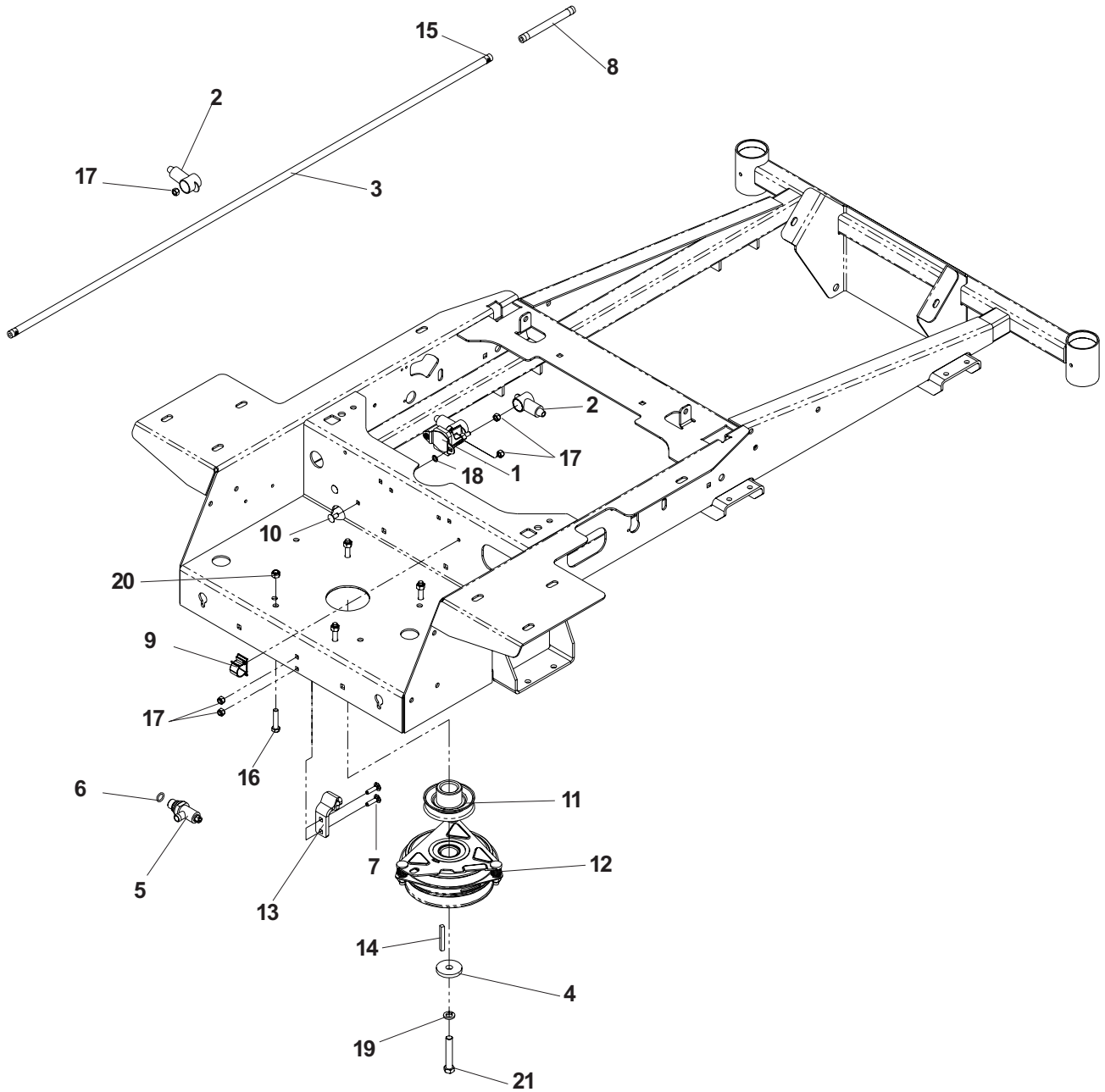
BRIGGS & STRATTON ENGINE ASSEMBLY

MODELS: 968999513, 968999514

ITEM	PART NO.	QTY.	DESCRIPTION
1	539 101714	1	SOLENOID
2	539 102759	3	INSULATOR, BATTERY
3	539 108120	1	NUT, 1/4-20, THIN NYLOC
4	539 109800	2	RHSNB, 1/4-20 X 1, GR5
5	539 110064	1	CLUTCH WASHER
6	539 110093	1	OIL DRAIN FITTING
7	539 110423	1	PULLEY
8	539 110424	1	FUEL LINE, 24"
9	539 110425	1	FUEL LINE, 5"
10	539 111786	2	RHSSNB, 1/4-20 X 5/8, GR5
11	539 112233	1	CLUTCH
12	539 112249	1	CLUTCH TIE DOWN
13	539 912222	4	CLAMP, HOSE
14	539 976935	4	HCS, 5/16-18 X 1 1/2, GR5
15	539 976978	6	NUT, 1/4-20, NYLOC
16	539 990053	2	WASHER, 1/4
17	539 990247	1	WASHER, 7/16
18	539 990717	4	NUT, 5/16-18, NYLOC
19	539 991120	1	HCS, 7/16-20 X 2 1/2, GR5
	539 103306	2	CABLE, POSITIVE, LONG (NOT SHOWN)
	539 107516	1	PIGTAIL (NOT SHOWN)
	539 108635	1	MUFFLER (NOT SHOWN)

KOHLER ENGINE ASSEMBLY

MODEL: 968999505



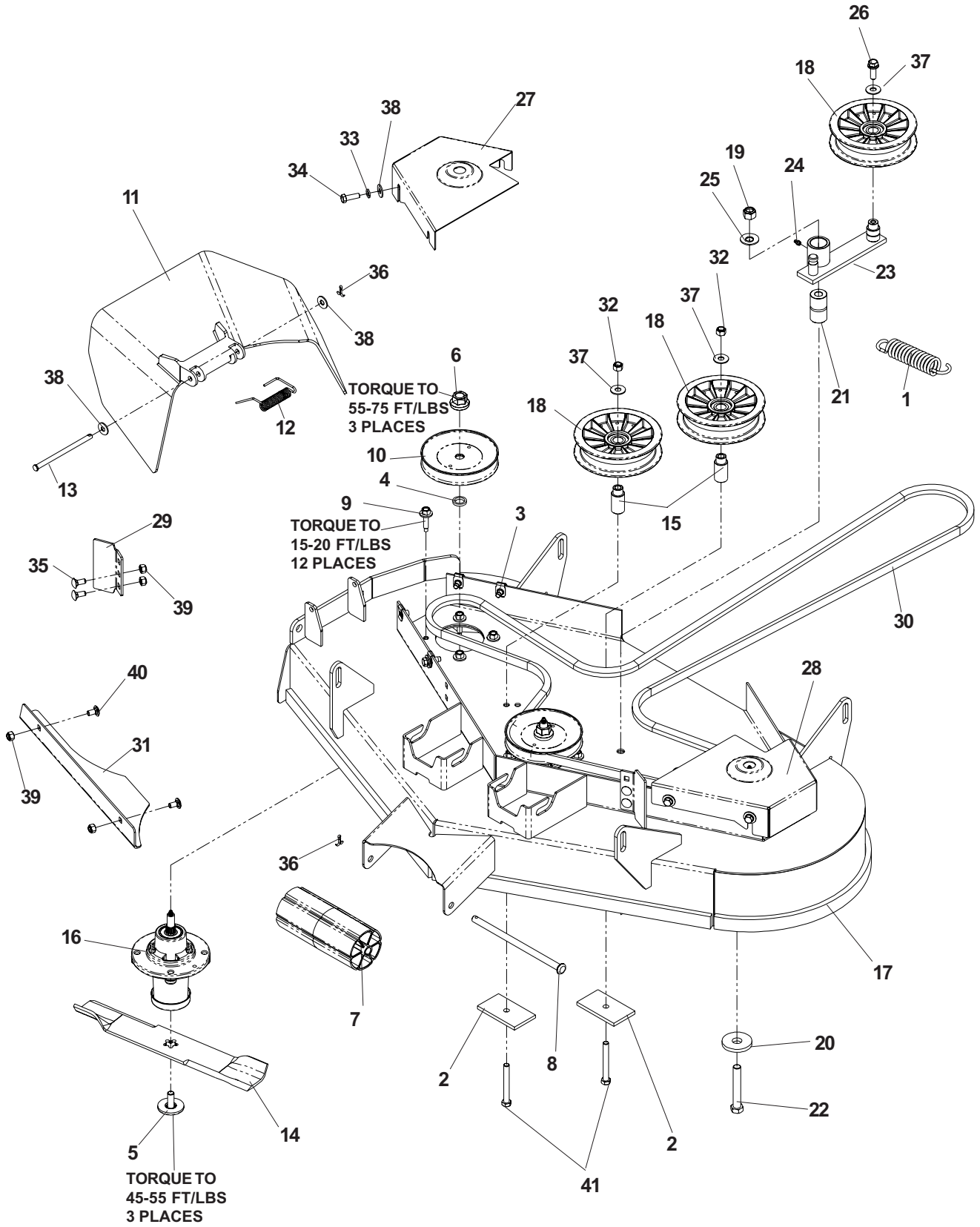
KOHLER ENGINE ASSEMBLY

MODEL: 968999505

ITEM	PART NO.	QTY.	DESCRIPTION
1	539 101714	1	SOLENOID
2	539 102759	3	INSULATOR, BATTERY
3	539 103174	1	FUEL LINE
4	539 106504	1	WASHER, .469
5	539 109587	1	OIL DRAIN EXTENSION
6	539 109618	1	O-RING
7	539 109800	2	RHSNB, 1/4-20 X 1, GR5
8	539 110425	1	FUEL LINE, 5"
9	539 110815	1	PUSH-MOUNT WIRE CLIP
10	539 111786	2	RHSSNB, 1/4-20 X 5/8, GR5
11	539 113436	1	PULLEY, DRIVE
12	539 113437	1	CLUTCH
13	539 113441	1	CLUTCH TIE DOWN
14	539 910210	1	KEY, 1/4 SQ X 2
15	539 912222	4	CLAMP, HOSE
16	539 976935	4	HCS, 5/16-18 X 1 1/2, GR5
17	539 976978	6	NUT, 1/4-20, NYLOC
18	539 990053	2	WASHER, 1/4
19	539 990247	1	WASHER, 7/16
20	539 990717	4	NUT, 5/16-18, NYLOC
21	539 991120	1	HCS, 7/16-20 X 2 1/2, GR5
	539 103306	2	CABLE, POSITIVE, LONG (NOT SHOWN)
	539 107516	1	KOHLER PIGTAIL (NOT SHOWN)
	539 105896	1	MUFFLER (NOT SHOWN)

42" DECK

MODEL: 968999291



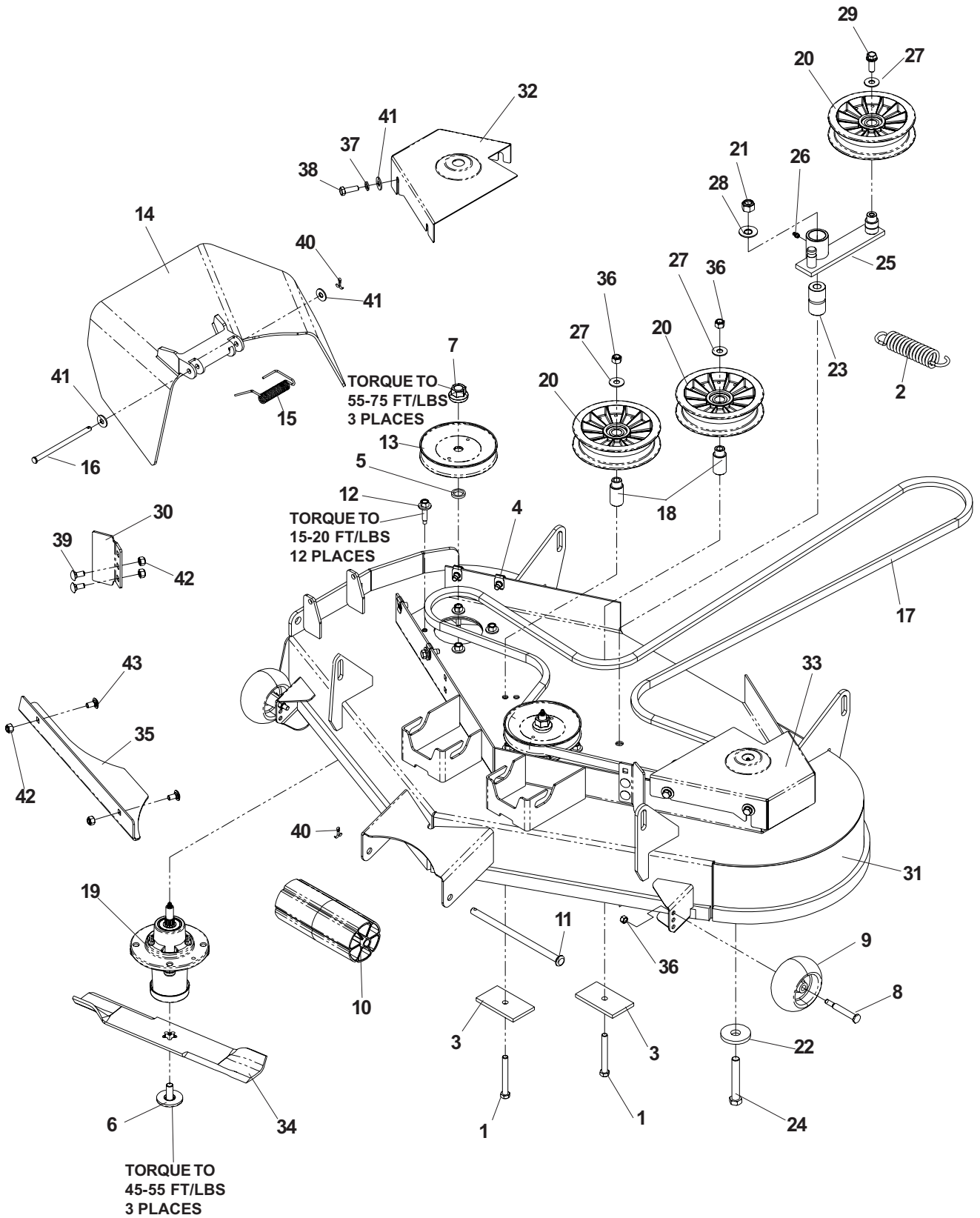
42" DECK

MODEL: 968999291

ITEM	PART NO.	QTY.	DESCRIPTION
1	539 103256	1	SPRING, EXTENSION
2	539 103303	2	PAD
3	539 104763	8	NUT, 5/16-18, RETAINER-U TYPE
4	539 107520	3	WASHER, .675 X .915 X .155, SPACER
5	539 107522	3	BOLT, 7/16, SPEC
6	539 107590	3	NUT, 9/16, CENTERLOCK, GR5
7	532 176066	1	ROLLER, NOSE
8	539 107613	1	ROD, ROLLER, NOSE, NARROW
9	539 107630	12	SCREW, 5/16-18 X 1 3/8, WASH HD, SPEC
10	539 110315	3	PULLEY, MANDREL
11	539 110731	1	DISCHARGE CHUTE
12	539 110735	1	SPRING, TORSION
13	539 110736	1	PIN-CLEVIS, 5/16 DIA X 5.19
14	539 112078	3	BLADE, 14.625"
15	539 112169	2	IDLER BUSHING
16	539 112170	3	HOUSING ASSEMBLY
17	539 112748	1	DECK W/DECALS
18	539 112196	3	IDLER PULLEY, NYLON
19	539 101331	1	NUT, 1/2-13, NYLOC
20	539 102243	1	WASHER, .65 X 2 X .25, SUPPORT
21	539 103427	1	BUSHING, PIVOT
22	539 103433	1	HCS, 1/2-13 X 3 1/4, GR5
23	539 112198	1	IDLER ARM
24	539 976998	1	ZERK, STRAIGHT, 1/4-28
25	539 990550	1	WASHER, .562 X 1.38 X 14
26	539 990582	1	HCS, 3/8-16 X 1, GR5, WHIZLK
27	539 112238	1	BELTSCHILD, RIGHT
28	539 112240	1	BELTSCHILD, LEFT
29	539 112248	2	DECK STOP
30	539 112334	1	BELT
31	539 112413	1	CONFINEMENT PLATE
32	539 976979	2	NUT, 3/8-16, NYLOC
33	539 990187	8	WASHER, 5/16
34	539 990209	8	HCS, 5/16-18 X 1, GR5
35	539 990316	4	RHSNB, 5/16-18 X 3/4, GR5
36	539 990365	2	PIN COTTER, 1/8 X 3/4
37	539 990517	3	WASHER, 3/8
38	539 990692	10	WASHER, 5/16
39	539 990717	6	NUT, 5/16-18, NYLOC
40	539 990799	2	RHSNB, 5/16-18 X 5/8, GR5
41	539 101341	2	HCS, 3/8-16 x 3, GR5

48" DECK ASSEMBLY

MODEL: 968999504



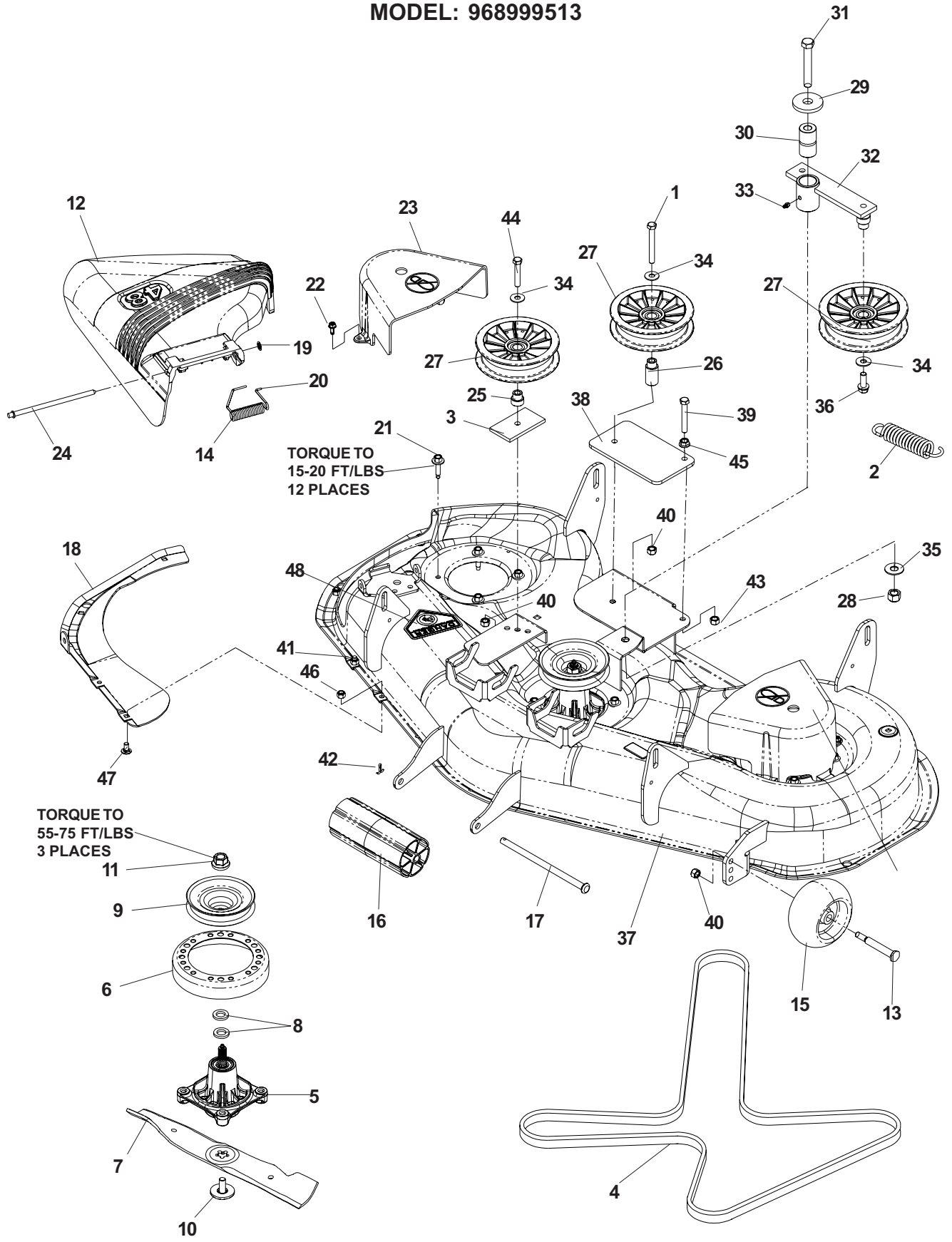
48" DECK ASSEMBLY

MODEL: 968999504

ITEM	PART NO.	QTY.	DESCRIPTION
1	539 101341	2	HCS, 3/8-16, GR5
2	539 103256	1	SPRING, EXTENSION
3	539 103303	2	PAD
4	539 104763	8	NUT, 5/16-18, RETAINING-U
5	539 107520	3	WASHER, .675
6	532 174365	3	BOLT, 7/16, SPEC
7	539 107590	3	NUT, 9/16, TOP CENTERLOCK, GR5
8	532 137644	2	SB, 1/2 X 2 5/8, SPEC
9	532 133957	2	WHEEL, GAUGE
10	532 176066	1	ROLLER, NOSE
11	539 107613	1	ROD, ROLLER, NOSE, NARROW
12	539 107630	12	SCREW, 5/16-18 X 1 3/8, WASH HD, SPEC
13	539 110315	3	PULLEY, MANDREL
14	539 110732	1	DISCHARGE CHUTE
15	539 110735	1	SPRING, TORSION
16	539 110736	1	PIN, CLEVIS, 5/16 DIA X 5.19
17	539 110832	1	DECK BELT
18	539 112169	3	IDLER BUSHING
19	539 112170	3	HOUSING ASSEMBLY
20	539 112196	3	IDLER PULLEY
21	539 101331	1	NUT, 1/2-13, NYLOC
22	539 102243	1	WASHER, .65
23	539 103427	1	BUSHING, PIVOT
24	539 103433	1	HCS, 1/2-13 X 3 1/4, GR5
25	539 112198	1	IDLER ARM
26	539 976998	1	ZERK, STRAIGHT, 1/4-28
27	539 990517	2	WASHER, 3/8
28	539 990550	1	WASHER, 9/16
29	539 990582	1	HCS, 3/8-16 X 1, GR5, WHIZLK
30	539 112248	2	DECK STOP
31	539 114047	1	48" DECK W/DECALS
32	539 114051	1	BELT SHIELD W/DECAL, RIGHT
33	539 114052	1	BELT SHIELD W/DECAL, LEFT
34	539 113425	3	BLADE, 16 1/4"
35	539 113427	1	CONFINEMENT PLATE
36	539 976979	4	NUT, 3/8-16, NYLOC
37	539 990187	8	WASHER, 5/16
38	539 990209	8	HCS, 5/16-18 X 1, GR5
39	539 990316	4	RHSNB, 5/16-18 X 3/4, GR5
40	539 990365	2	PIN, COTTER, 1/8 X 3/4
41	539 990692	10	WASHER, 5/16
42	539 990717	6	NUT, 5/16-18, NYLOC
43	539 990799	2	RHSNB, 5/16-18 X 5/8, GR5

48" DECK ASSEMBLY

MODEL: 968999513



TORQUE TO
15-20 FT/LBS
12 PLACES

TORQUE TO
55-75 FT/LBS
3 PLACES

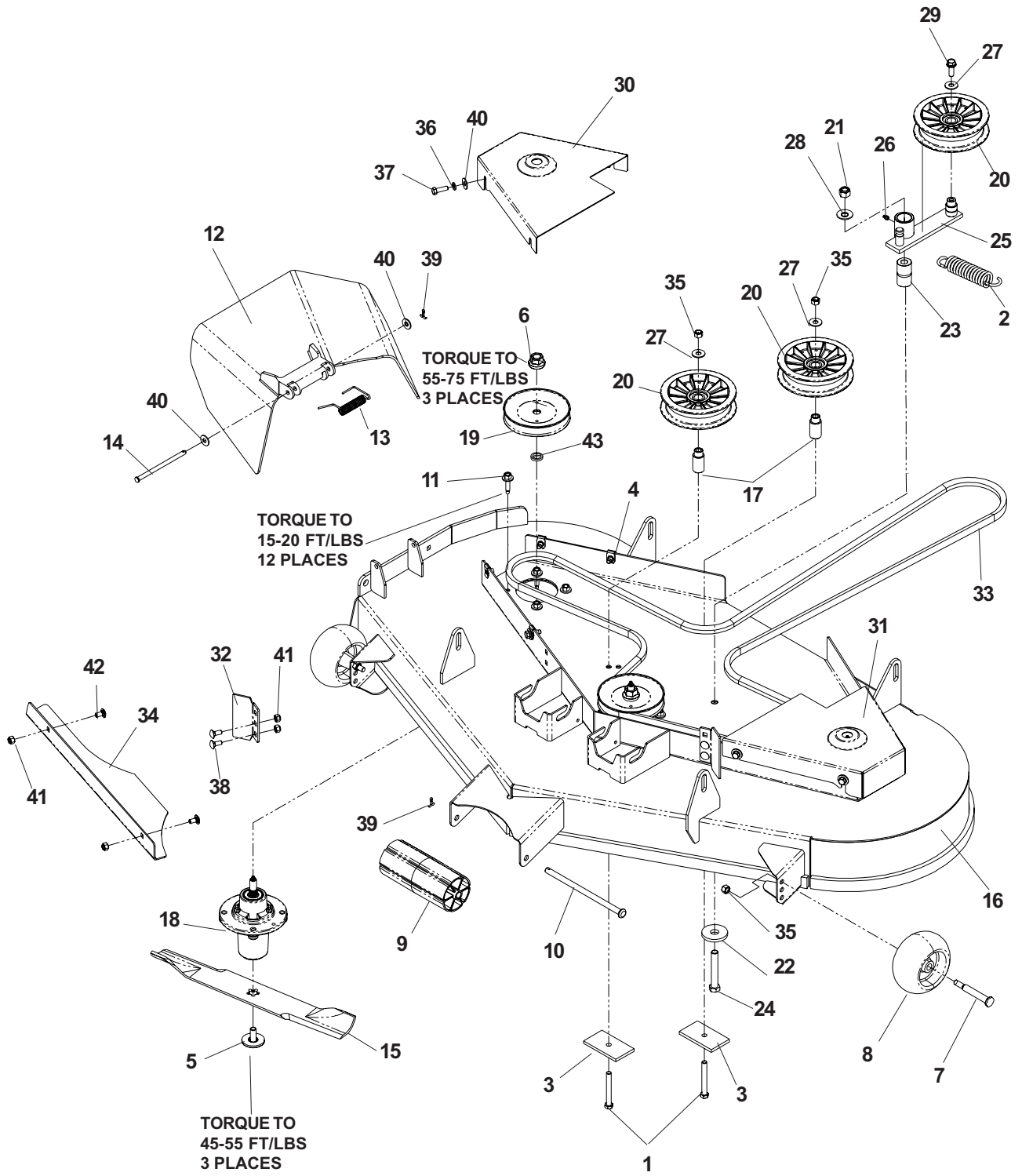
48" DECK ASSEMBLY

MODEL: 968999513

ITEM	PART NO.	QTY.	DESCRIPTION
1	539 101341	2	HCS, 3/8-16, GR5
2	539 103256	1	SPRING, EXTENSION
3	539 103303	2	PAD
4	539 106340	1	BELT, DECK
5	532 174356	3	CUTTER HOUSING
6	539 107518	3	STRIPPER, ROUND, UNIVERSAL
7	532 180054	3	BLADE, HIGH LIFT
8	539 107520	6	WASHER, .675 X .915 X .155, SPACER
9	532 174375	3	PULLEY, DRIVEN
10	532 174365	3	BOLT, 7/16, SPEC
11	539 107590	3	NUT, 9/16, CENTERLOCK, GR5
12	532 180655	1	DISCHARGE CHUTE
13	532 137644	1	SB, 1/2 X 2 5/8, SPEC
14	539 107609	1	SPRING, TORSION
15	532 133957	1	WHEEL, GAUGE
16	532 176066	1	ROLLER, NOSE
17	539 107613	1	ROD, TOLLER, NOSE, NARROW
18	539 107614	1	BAFFLE
19	539 107626	1	NUT, 5/16, PUSH
20	539 107627	1	CAP-SLEEVE
21	539 107630	12	SCREW, 5/16-18 X 1 3/8, WASH HD, SPEC.
22	539 107631	4	SCREW, 1/4-20 X 5/8, THDROLL, SPEC
23	539 110114	2	BELTSHIELD
24	532 131491	1	ROD HINGE
25	539 112076	1	IDLER BUSHING
26	539 112169	1	IDLER BUSHING
27	539 112196	3	IDLER PULLEY, NYLON
28	539 101331	1	NUT, 1/2-13, NYLOC
29	539 102243	1	WASHER, .65 X 2 X .25, SUPPORT
30	539 103427	1	BUSHING-PIVOT
31	539 103433	1	HCS, 1/2-13 X 3 1/4, GR5
32	539 112198	1	IDLER ARM
33	539 976998	1	ZERK, STRAIGHT, 1/4-28
34	539 990517	3	WASHER, 3/8
35	539 990550	1	WASHER, .562 X 1.38 X 14
36	539 990582	1	HCS, 3/8-16 X 1, GR5, WHIZLK
37	539 112330	1	DECK W/DECALS
38	539 113191	1	SUPPORT PLATE
39	539 113194	1	HCS, 3/8C X 2 1/2, GR8
40	539 976979	4	NUT, 3/8-16, NYLOC
41	539 990206	1	HCS, 5/16-18 X 3/4, GR5
42	539 990365	1	PIN COTTER, 1/8 X 3/4
43	539 990546	1	NUT, 3/8-16, CENTERLOCK
44	539 990588	1	HCS, 3/8-16 X 2, GR5
45	539 990613	1	NUT, 3/8-16, WHIZLK
46	539 990717	6	NUT, 5/16-18, NYLOC
47	539 990799	5	RHSNB, 5/16-18 X 5/8, GR5
48	539 913010	1	DECAL, WARNING
	539 200684	2	RIVENT, 3/16 (NOT SHOWN)

52" DECK ASSEMBLY

MODEL: 968999292



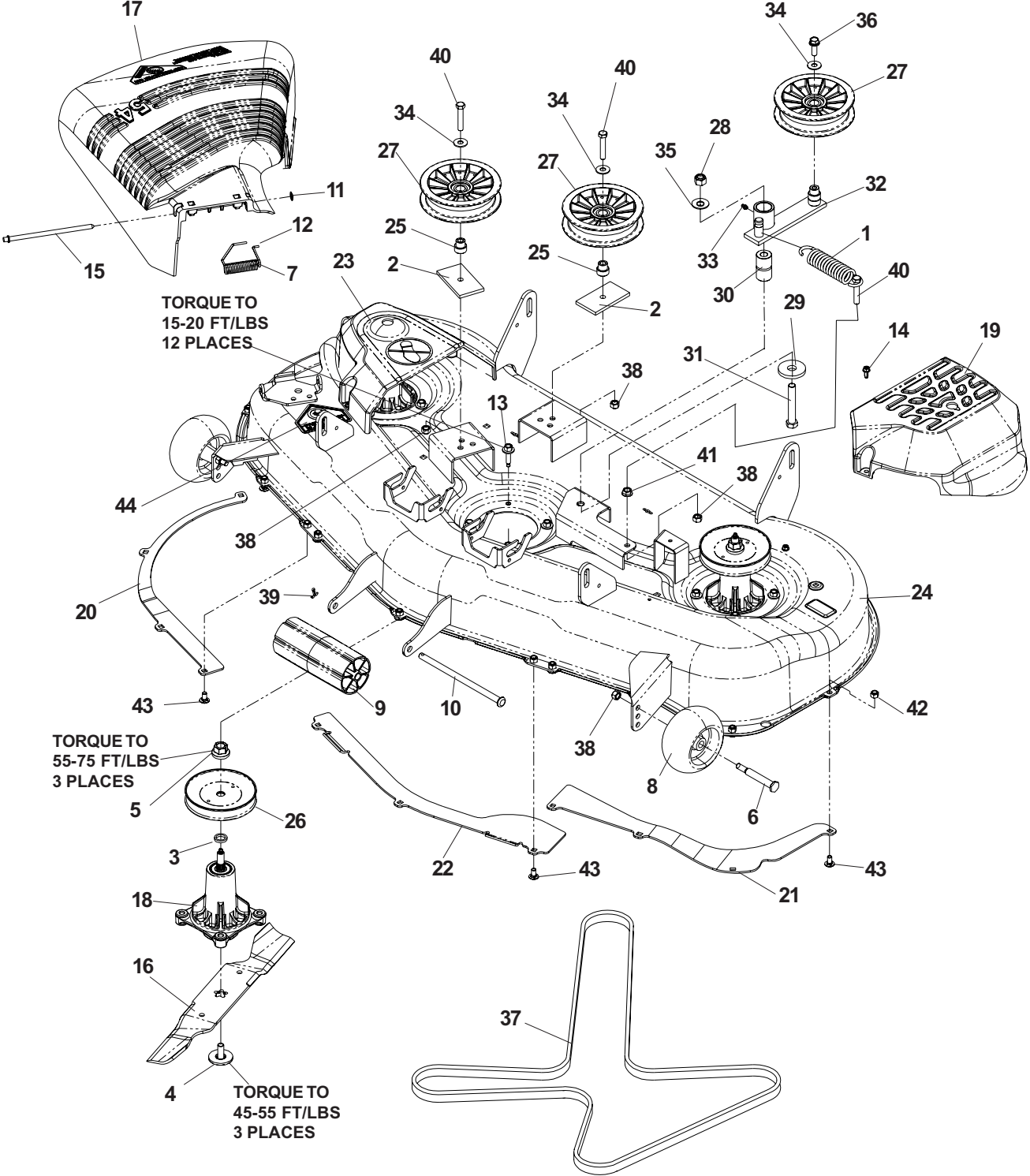
52" DECK ASSEMBLY

MODEL: 968999292

ITEM	PART NO.	QTY.	DESCRIPTION
1	539 101341	2	HCS, 3/8-16, GR5
2	539 103256	1	SPRING, EXTENSION
3	539 103303	2	PAD
4	539 104763	8	NUT, 5/16-18, RETAINER-U TYPE
5	532 174365	3	BOLT, 7/16, SPEC
6	539 107590	3	NUT, 9/16, CENTERLOCK, GR5
7	532 137644	2	SB, 1/2 X 2 5/8, SPEC
8	532 133957	2	WHEEL, GAUGE
9	532 176066	1	ROLLER, NOSE
10	539 107613	1	ROD, TOLLER, NOSE, NARROW
11	539 107630	12	SCREW, 5/16-18 X 1 3/8, WASH HD, SPEC
12	539 110733	1	DISCHARGE CHUTE
13	539 110735	1	SPRING, TORSION
14	539 110736	1	PIN-CLEVIS, 5/16 DIA X 5.19
15	539 112079	3	BLADE, 18"
16	539 112749	1	DECK W/DECALS
17	539 112169	2	IDLER BUSHING
18	539 112170	3	HOUSING
19	539 112171	3	PULLEY
20	539 112196	3	IDLER PULLEY, NYLON
21	539 101331	1	NUT, 1/2-13, NYLOC
22	539 102243	1	WASHER, .65 X 2 X .25, SUPPORT
23	539 103427	1	BUSHING-PIVOT
24	539 103433	1	HCS, 1/2-13 X 3 1/4, GR5
25	539 112198	1	IDLER ARM
26	539 976998	1	ZERK, STRAIGHT, 1/4-28
27	539 990517	3	WASHER, 3/8
28	539 990550	1	WASHER, .562 X 1.38 X 14
29	539 990582	1	HCS, 3/8-16 X 1, GR5, WHIZLK
30	539 112242	1	BELT SHIELD, RIGHT
31	539 112244	1	BELT SHIELD, LEFT
32	539 112248	2	DECK STOP
33	539 112335	1	BELT
34	539 112417	1	CONFINEMENT PLATE
35	539 976979	4	NUT, 3/8-16, NYLOC
36	539 990187	8	WASHER, 5/16
37	539 990209	8	HCS, 5/16-18 X 1, GR5
38	539 990316	4	RHSNB, 5/16-18 X 3/4, GR5
39	539 990365	2	PIN COTTER, 1/8 X 3/4
40	539 990692	10	WASHER, 5/16
41	539 990717	4	NUT, 5/16-18, NYLOC
42	539 990799	2	RHSNB, 5/16-18 X 5/8, GR5
43	539 107520	3	WASHER, .675, SPACER

54" DECK ASSEMBLY

MODEL: 968999514



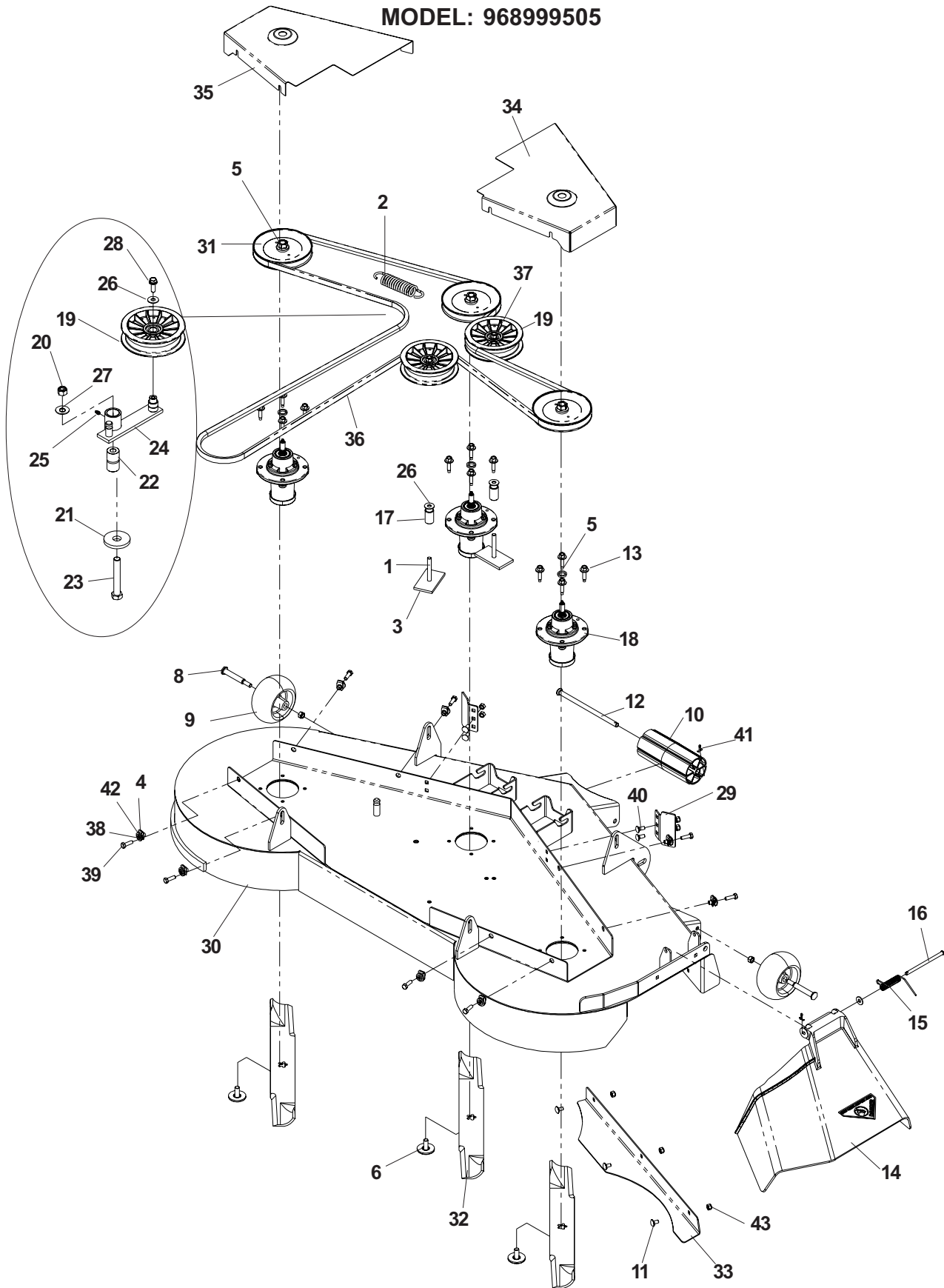
54" DECK ASSEMBLY

MODEL: 968999514

ITEM	PART NO.	QTY.	DESCRIPTION
1	539 103256	1	SPRING, EXTENSION
2	539 103303	2	PAD
3	539 107520	3	WASHER, .675, SPACER
4	532 174365	3	BOLT, 7/16, SPEC
5	539 107590	3	NUT, 9/16, CENTERLOCK, GR5
6	532 137644	2	SB, 1/2 X 2 5/8, SPEC
7	539 107609	1	SPRING, TORSION
8	532 133957	2	WHEEL, GAUGE
9	532 176066	1	ROLLER, NOSE
10	539 107613	1	ROD, ROLLER, NOSE, NARROW
11	539 107626	1	NUT, 5/16, PUSH
12	539 107627	1	CAP-SLEEVE
13	539 107630	12	SCREW, 5/16-18 X 1 3/8, WASH HD, SPEC
14	539 107631	4	SCREW, 1/4-20 X 5/8, THDROLL, SPEC
15	532 131491	1	ROD, HINGE
16	532 187254	3	BLADE
17	532 187257	1	DEFLECTOR
18	532 187292	3	MADNREL, GREASABLE
19	539 112058	1	BELT COVER, LEFT
20	539 112059	1	BAFFLE, RIGHT
21	539 112060	1	BAFFLE, LEFT
22	539 112062	1	BAFFLE, CENTER
23	539 112063	1	BELT COVER, RIGHT
24	539 112331	1	DECK W/DECALS
25	539 112076	2	IDLER BUSHING
26	532 173436	3	PULLEY
27	539 112196	3	IDLER PULLEY, NYLON
28	539 101331	1	NUT, 1/2-13, NYLOC
29	539 102243	1	WASHER, .65 X 2 X .25, SUPPORT
30	539 103427	1	BUSHING-PIVOT
31	539 103433	1	HCS, 1/2-13 X 3 1/4, GR5
32	539 112198	1	IDLER ARM
33	539 976998	1	ZERK, STRAIGHT, 1/4-28
34	539 990517	3	WASHER, 3/8
35	539 990550	1	WASHER, .562 X 1.38 X 14
36	539 990582	1	HCS, 3/8-16 X 1, GR5, WHIZLK
37	539 112333	1	BELT
38	539 976979	5	NUT, 3/8-16, NYLOC
39	539 990365	1	PIN COTTER, 1/8 X 3/4
40	539 990588	3	HCS, 3/8-16 X 2, GR5
41	539 990613	1	NUT, 3/8-16, WHIZLK
42	539 990717	12	NUT, 5/16-18, NYLOC
43	539 990799	12	RHSNB, 5/16-18 X 5/8, GR5
44	539 913010	1	DECAL, WARNING

61" DECK ASSEMBLY

MODEL: 968999505

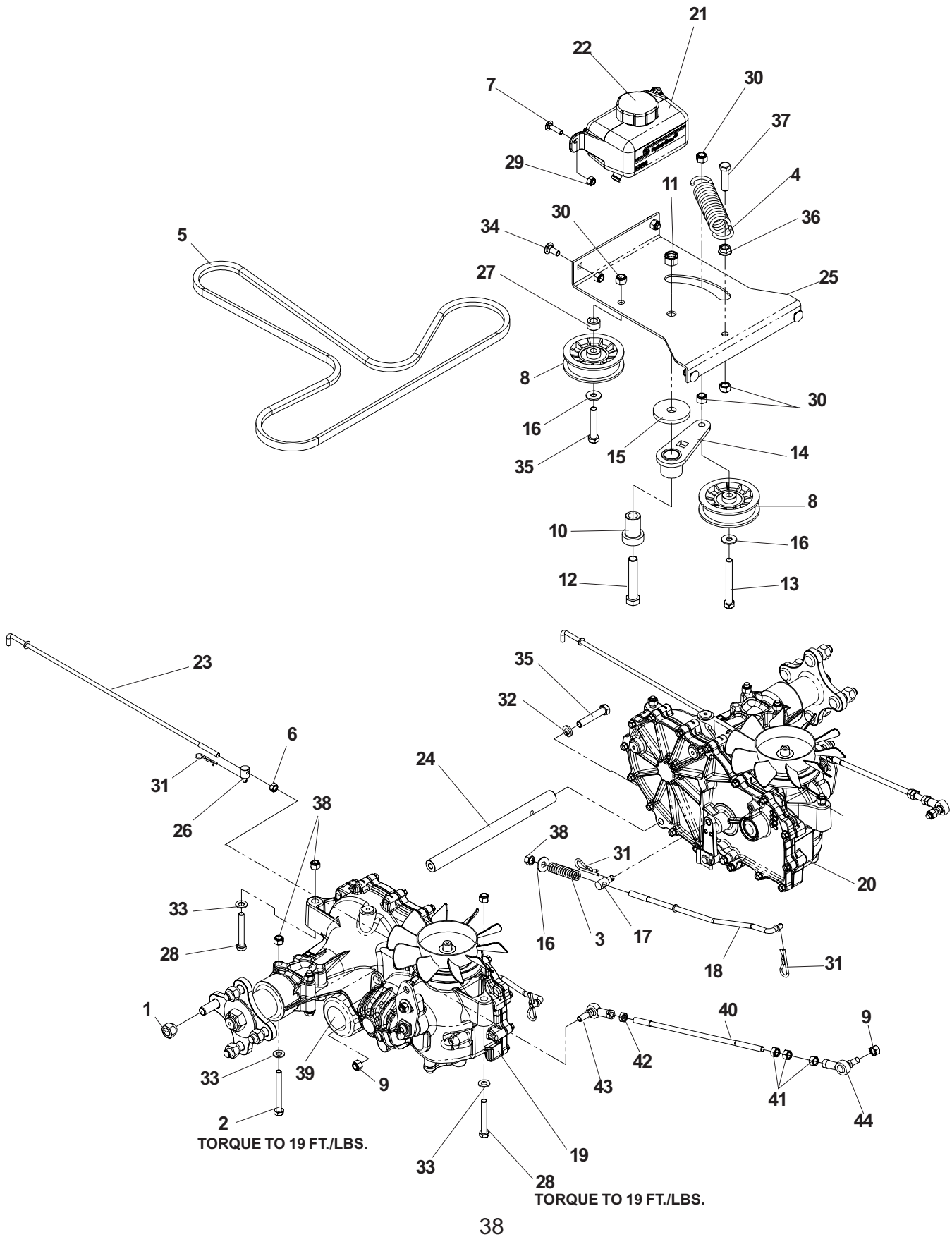


61" DECK ASSEMBLY

MODEL: 968999505

ITEM	PART NO.	QTY.	DESCRIPTION
1	539 101341	2	HCS, 3/8-16 X 3, GR5
2	539 103256	1	SPRING, EXTENSION
3	539 103303	2	PAD
4	539 104763	8	NUT, 5/16-18, RETAINER-U TYPE
5	539 107520	3	WASHER, .675, SPACER
6	532 174365	3	BOLT, 7/16, SPEC
7	539 107590	3	NUT, 9/16, CENTERLOCK, GR5
8	532 137644	2	SB, 1/2 X 2 5/8, SPEC
9	532 133957	2	WHEEL, GAUGE
10	532 176066	1	ROLLER, NOSE
11	539 990799	3	RHSNB, 5/16-18 X 5/8, GR5
12	539 107613	1	ROD, ROLLER, NOSE, NARROW
13	539 107630	12	SCREW, 5/16-18 X 1 3/8, WASH HD, SPEC
14	539 110734	1	DISCHARGE CHUTE
15	539 110735	1	SPRING, TORSION
16	539 110736	1	PIN-CLEVIS, 5/16 DIA. X 5.19
17	539 112169	2	IDLER BUSHING
18	539 112170	3	HOUSING
19	539 112196	3	IDLER PULLEY, NYLON
20	539 101331	1	NUT, 1/2-13, NYLOC
21	539 102243	1	WASHER, .65 X 2 X .25, SUPPORT
22	539 103427	1	BUSHING-PIVOT
23	539 103433	1	HCS, 1/2-13 X 3 1/4, GR5
24	539 112198	1	IDLER ARM
25	539 976998	1	ZERK, STRAIGHT, 1/4-28
26	539 990517	3	WASHER, 3/8
27	539 990550	1	WASHER, .562 X 1.38 X 14
28	539 990582	1	HCS, 3/8-16 X 1, GR5, WHIZLK
29	539 112248	2	DECK STOP
30	539 114049	1	DECK W/DECALS
31	539 113300	3	PULLEY
32	539 113312	3	BLADE, 21"
33	539 113317	1	CONFINEMENT PLATE
34	539 114055	1	BELT SHIELD, RIGHT
35	539 114056	1	BELT SHIELD, LEFT
36	539 113343	1	BELT
37	539 976979	4	NUT, 3/8-16, NYLOC
38	539 990187	8	WASHER, 5/16
39	539 990209	8	HCS, 5/16-18 X 1, GR5
40	539 990316	4	RHSNB, 5/16-18 X 3/4, GR5
41	539 990365	2	PIN COTTER, 1/8 X 3/4
42	539 990692	10	WASHER, 5/16
43	539 990717	7	NUT, 5/16-18, NYLOC

HYDRAULIC ASSEMBLY

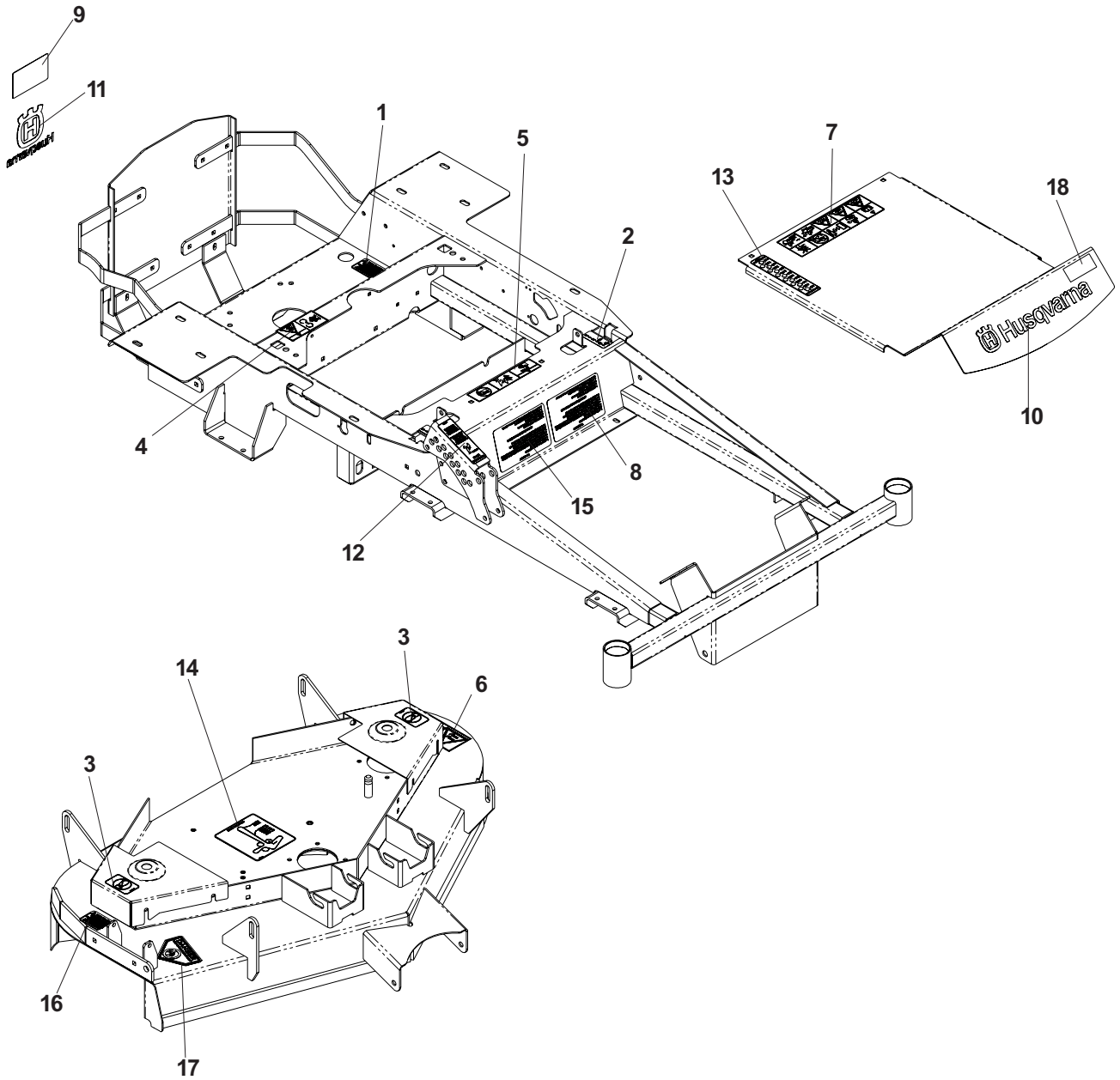


HYDRAULIC ASSEMBLY

ITEM	PART NO.	QTY.	DESCRIPTION
1	539 101173	8	NUT, 1/2-20, LUG
2	539 101721	4	HCS, 5/16-18 X 2 3/4, GR5
3	539 102796	2	SPRING
4	539 103256	1	SPRING EXTENSION
5	539 104334	1	BELT, PUMP
6	539 108739	2	NUT, 1/4-28
7	539 109800	2	RHSNB, 1/4-20 X 1, GR5
8	539 110311	2	PULLEY, IDLER
9	539 110943	4	NUT, 5/16, NYLOC
10	539 101231	1	SPINDLE, IDLER
11	539 101331	1	NUT, 1/2-13, NYLOC
12	539 101332	1	HCS, 1/2-13 X 2 3/4, GR5
13	539 101350	1	HCS, 3/8-16, GR5
14	539 112092	1	IDLER ARM
15	539 112670	1	HEAVY WASHER
16	539 990692	4	WASHER, 5/16
17	539 112308	2	BRAKE SWIVEL
18	539 112309	2	BRAKE LINKAGE
19	539 112316	1	ZT2800, RIGHT
20	539 112317	1	ZT2800, LEFT
21	539 112318	1	EXPANSION TANK W/CAP
22	539 112449	1	CAP
23	539 112319	2	BYPASS LINKAGE
24	539 112342	1	2800 CROSS SUPPORT
25	539 112407	1	IDLER PULLEY PLATE
26	539 112949	2	SWIVEL, 1/4-28
27	539 923515	1	SPACER
28	539 976938	4	HCS, 5/16-18 X 2 1/4, GR5
29	539 976978	2	NUT, 1/4-20, NYLOC
30	539 976979	4	NUT, 3/8-16, NYLOC
31	539 976988	6	PIN, HAIR, .073 X 1 7/16
32	539 990118	2	WASHER, 3/8
33	539 990188	12	WASHER, 5/16, SAE
34	539 990316	4	RHSNB, 5/16-18 X 3/4, GR5
35	539 990588	3	HCS, 3/8-16 X 2, GR5
36	539 990613	1	NUT, 3/8-16, WHIZLK
37	539 990655	1	HCS, 3/8-16 X 1 1/2, GR5
38	539 990717	14	NUT, 5/16-18, NYLOC
39	539 113466	2	OIL FILTER
40	539 112099	2	DRIVE LINKAGE
41	539 990223	6	NUT, 5/16-24
42	539 991073	2	NUT, 5/16-24, LH
43	539 110604	2	ROD END, LEFT
44	539 110603	2	ROD END, RIGHT
	539 112669	1	HOSE KIT (NOT SHOWN)

DECAL ASSEMBLY

MODELS: 968999291, 968999292, 968999504, 968999505



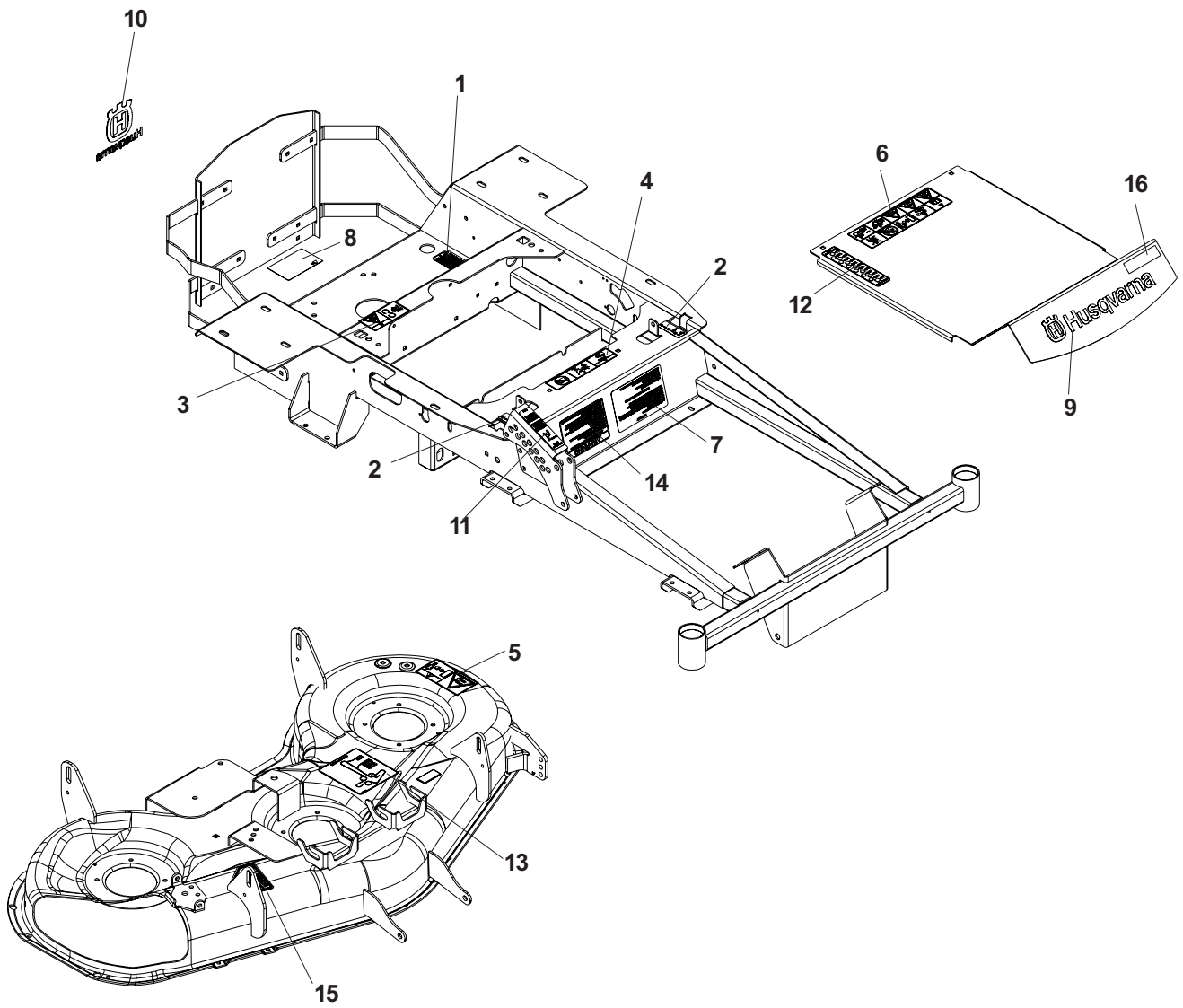
DECAL ASSEMBLY

MODELS: 968999291, 968999292, 968999504, 968999505

ITEM	PART NO.	QTY.	DESCRIPTION
1	539 101881	1	DECAL, PROP 65
2	539 103333	2	DECAL, MOTION CONTROL
3	539 105743	2	DECAL, EURO NO STEP
4	539 105744	1	DECAL, EURO DANGER BELT
5	539 105745	1	DECAL, EURO BATTERY WARNING
6	539 105746	1	DECAL, EURO SEVERING
7	539 107959	1	DECAL, WARNING
8	539 108179	1	DECAL, START
9	539 108385	1	DECAL, DO NOT TOW
10	539 111047	1	DECAL, HUSQVARNA
11	539 111055	1	DECAL, CROWN
12	539 112657	1	DECAL, TRANSPORT RELEASE
13	539 112785	1	DECAL, HEIGHT ADJUSTMENT
14	539 112924	1	DECAL, BELT ROUTING
15	539 113213	1	DECAL, WARNING
16	539 113224	1	DECAL, CAUTION
17	539 913010	1	DECAL, WARNING
18	539 113333	1	DECAL, EZ4819
	539 112431	1	DECAL, EZ5221
	539 112429	1	DECAL, EZ4217
	539 113334	1	DECAL, EZ6124

DECAL ASSEMBLY

MODELS: 968999513, 968999514



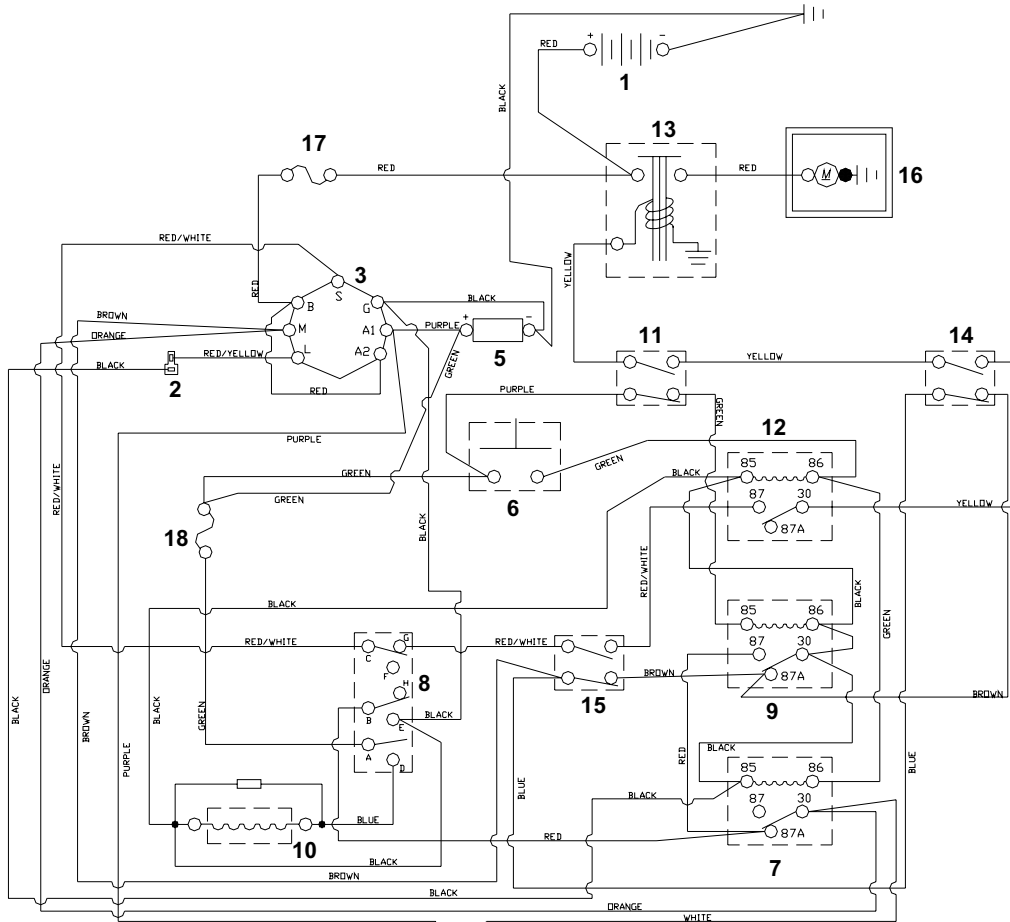
DECAL ASSEMBLY

MODELS: 968999513, 968999514

ITEM	PART NO.	QTY.	DESCRIPTION
1	539 101881	1	DECAL, PROP 65
2	539 103333	2	DECAL, MOTION CONTROL
3	539 105744	1	DECAL, EURO DANGER BELT
4	539 105745	1	DECAL, EURO BATTERY WARNING
5	539 105746	1	DECAL, EURO SEVERING
6	539 107959	1	DECAL, WARNING
7	539 108179	1	DECAL, START
8	539 108385	1	DECAL, DO NOT TOW
9	539 111047	1	DECAL, HUSQVARNA
10	539 111055	1	DECAL, CROWN
11	539 112657	1	DECAL, TRANSPORT RELEASE
12	539 112785	1	DECAL, HEIGHT ADJUSTMENT
13	539 112924	1	DECAL, BELT ROUTING
14	539 113213	1	DECAL, WARNING
15	539 913010	1	DECAL, WARNING
16	539 113438	1	DECAL, EZ4824
	539 113439	1	DECAL, EZ5426

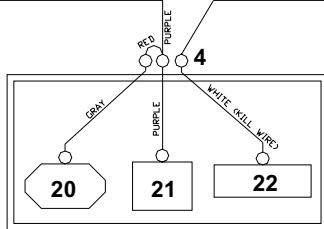
WIRING DIAGRAM

6. Seat unoccupied 8. Blade switch in OFF position
 11. Brake switch OFF pos. 14-15. Motion control levers OUT



1. Battery
2. Accessory outlet
3. Key switch
4. To engine pigtail
5. Hour meter
6. Seat switch
7. Run relay
8. Blade switch
9. Brake relay
10. Electric clutch
11. Brake switch
12. Start relay
13. Starter solenoid
14. Left motion control lever
15. Right motion control lever
16. Starter
17. 20 AMP fuse
18. 7.5 fuse
19. Diode
20. Voltage regulator
21. Fuel shut-off solenoid
22. Ignition

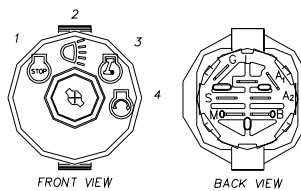
PTO SWITCH	
POSITION	CIRCUIT
OFF	C + G, B + H
ON	C + F, B + E, A + D



ENGINE (REFER TO ENGINE MANUAL FOR MORE DETAIL)

NON-REMOVABLE CONNECTIONS

REMOVABLE CONNECTIONS



IGNITION SWITCH

POSITION	FUNCTION	CONTACT 1	CONTACT 2
POSITION	FUNCTION	CONTACT	NONE
POSITION	FUNCTION	CONTACT	L + A ₂
POSITION	FUNCTION	CONTACT	NONE
POSITION	FUNCTION	CONTACT	NONE

